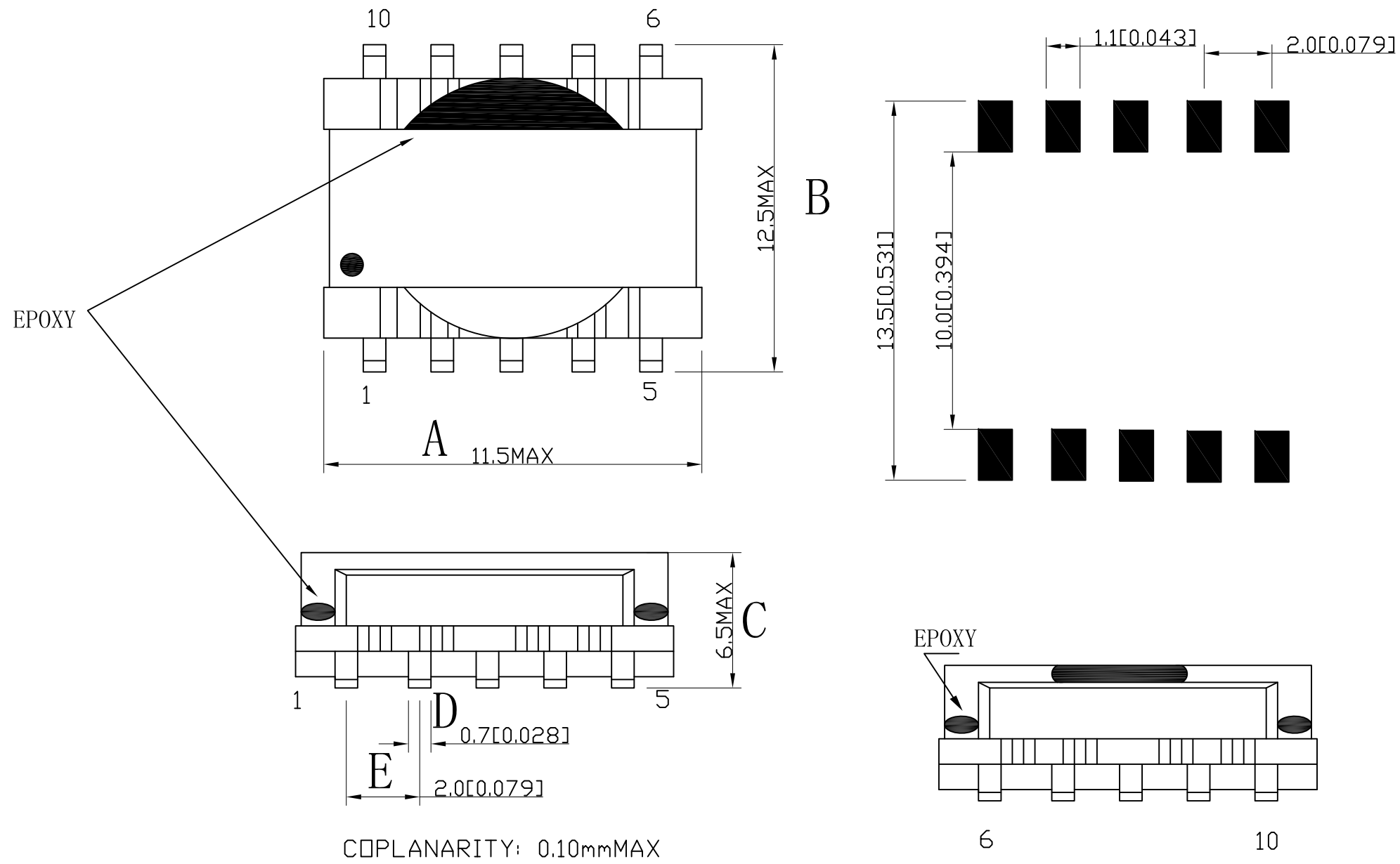


| REV. | CHANGGE DESCRIPTION | DATE     |
|------|---------------------|----------|
| A    | New Issue           | 2023-5-2 |
|      |                     |          |

# 1. MECHANICAL DIMENSIONS :



RoHS Compliant

NOTE.DIMENSIONS : MM(INCHES)/ UNLESS OTHERWISE SPECIFIED ALL TOLERANCES ARE ±0.5(0.020).

**TAG** ECO TECH CO., LTD.

A4  
SIZE

TAG PART NO.:  
1SER1101F

VENDOR PART NO.:

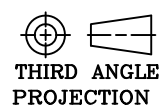
Drawn: Zhang Xue

Designed: Yang Tian

Approved: Deane

Date: 2023-5-2

THESE DRAWINGS AND SPECIFICATIONS ARE THE PROPERTY OF TAG TECHNOLOGY CO., LTD. AND SHALL NOT BE REPRODUCED OR USED AS THE BASIS FOR THE MANUFACTURE OR SELL OF APPARATUSES OR DEVICES WITHOUT PERMISSION.



DESCRIPTION:  
XFMR, ISOLATION

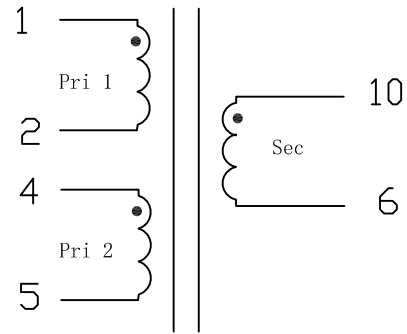
UNIT mm[inch]

USED ON

SHEET 1 OF 2

REV. A

2. SCHEMATIC:



3. ELLECTRICAL TES CHARACTERISTICS :(25°C)

1. L:(100KHz/0.1V):(1-2)125 $\mu$ H $\pm$ 20%
2. TURNS :(4-5)=21 $\pm$ 3%TS  
(10-6)=7 $\pm$ 3%TS
3. DCR:(1-2)1 $\Omega$  MAX (4-5)10 $\Omega$  MAX  
(10-6)0.2 $\Omega$  MAX
4. HI-POT:(P-S)=500VAC.50HZ 1mA/60S  
(P-P)=100VAC.50HZ 1mA/60S  
(P.S-C)=500VAC.50HZ 1mA/60S

4.WINDING:

| NO | WIRE                | PIN<br>IN---OUT | TURNS | TAPE |
|----|---------------------|-----------------|-------|------|
| N1 | 2UEW $\phi$ 0. 1mm  | 1---2           | 21TS  | 1TS  |
| N2 | 2UEW $\phi$ 0. 1mm  | 4---5           | 21TS  | 2TS  |
| N3 | 2UEW $\phi$ 0. 18mm | 10---6          | 7TS   | 2TS  |

RoHS Compliant

**TAG** ECO TECH CO., LTD.

A4  
SIZE

TAG PART NO.:  
1SER1101F

VENDOR PART NO.:

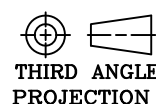
Drawn: Zhang Xue

Designed: Yang Tian

Approved: Deane

Date: 2023-5-2

THESE DRAWINGS AND SPECIFICATIONS ARE THE PROPERTY OF TAG TECHNOLOGY CO., LTD. AND SHALL NOT BE REPRODUCED OR USED AS THE BASIS FOR THE MANUFACTURE OR SELL OF APPARATUSES OR DEVICES WITHOUT PERMISSION.



DESCRIPTION:

XFMR, ISOLATION

UNIT mm[inch] USED ON

SHEET 2 OF 2 REV. A