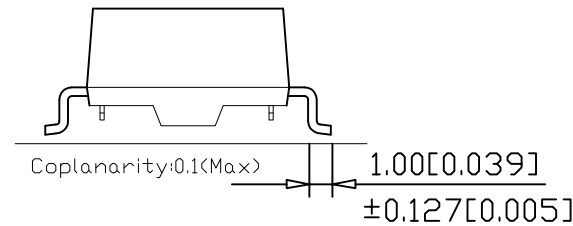
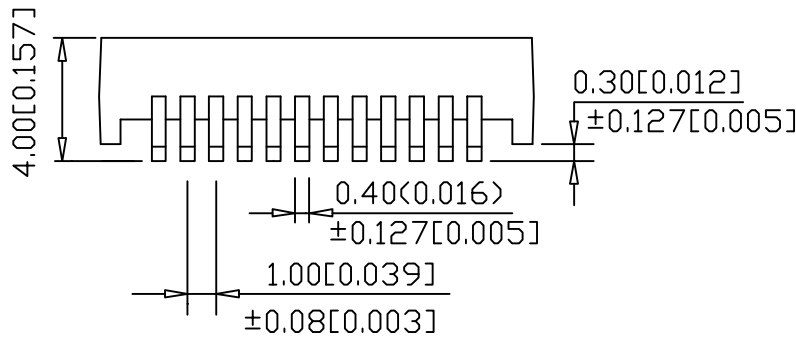
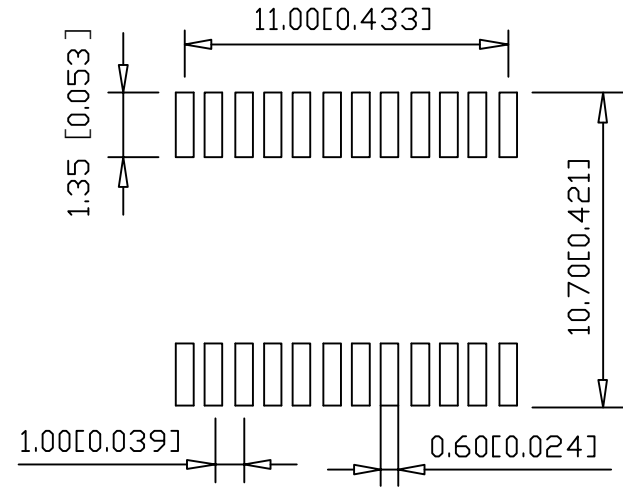
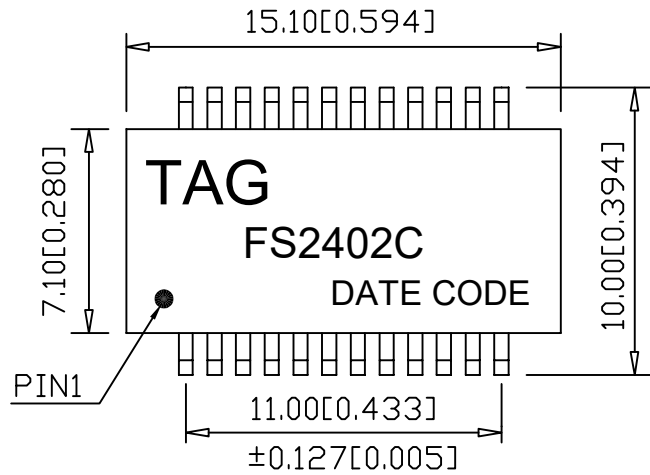


1. MECHANICAL DIMENSIONS :

REV.	CHANGE DESCRIPTION	DATE
A	New Issue	2015-3-17



RoHS Compliant

NOTE. DIMENSIONS:MM(INCHES)/UNLESS OTHERWISE SPECIFIED ALL TOLERANCES ARE ±0.50(0.020).

TAG 億客科技股份有限公司
ECO TECH CO., LTD.

A4
SIZE

TAG PART NO.:
FS2402C

VENDOR PART NO.:

Drawn: Zhang Xue

Designed: Yang Tian

Approved: Deane

Date: 2015-3-17

THESE DRAWINGS AND SPECIFICATIONS ARE THE PROPERTY OF TAG TECHNOLOGY CO., LTD. AND SHALL NOT BE REPRODUCED OR USED AS THE BASIS FOR THE MANUFACTURE OR SELL OF APPARATUS OR DEVICES WITHOUT PERMISSION.



DESCRIPTION:

2.5G BASE-T TRANSFORMER MODULES

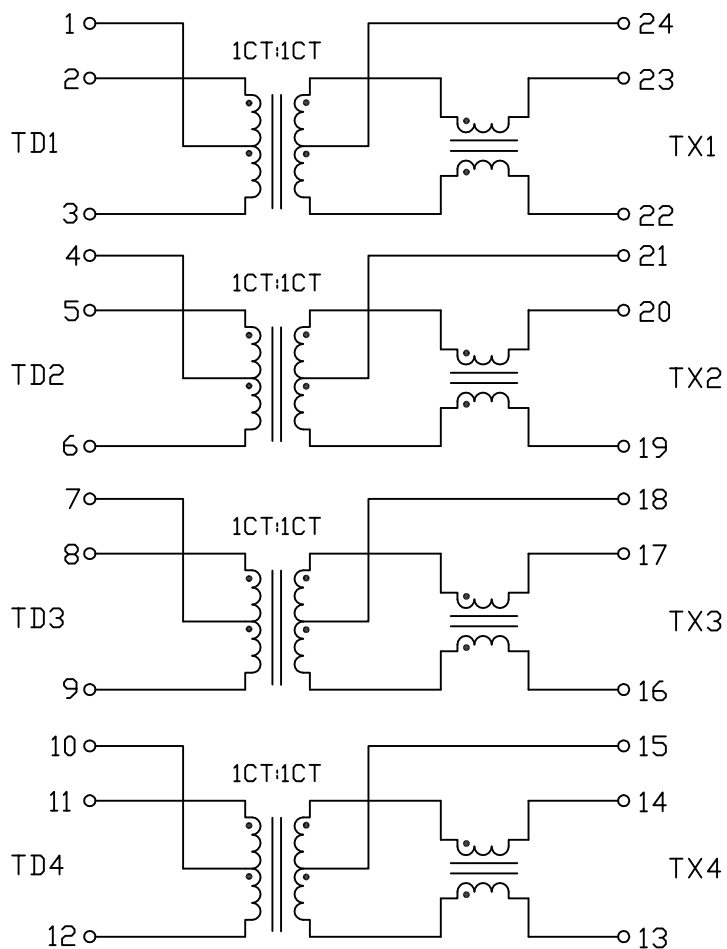
UNIT mm[inch]

USED ON

SHEET 1 OF 2

REV. A

2. SCHEMATIC:



3. ELECTRICAL CHARACTERISTICS :

TEST NOTES:($25^{\circ}\pm 5^{\circ}\text{C}$)

- TR:(100KHz,0.1V); 100%
PINS:(2,3):(23,22)= $1:1\pm 3\%$;(5,6):(20,19)= $1:1\pm 3\%$
PINS:(8,9):(17,16)= $1:1\pm 3\%$;(11,12):(14,13)= $1:1\pm 3\%$
- LX:(100KHz,0.1V,8mA, DC Bias) 100%
PINS:(2,3),(5,6),(8,9),(11,12)=150uH MINIMUM
- DCR: 100%
PINS:(23,22),(20,19),(17,16),(14,13)= 1.2Ω MAXIMUM
- HIPOT: 100%
PINS(2,1,3)TO(23,24,22),(5,4,6)TO(20,21,19)=1500VAC FOR 60 SECONDS
PINS(8,7,9)TO(17,18,16),(11,10,12)TO(14,15,13)=1500VAC FOR 60 SECONDS
- INSERTION LOSS:
-1.0dB MAXIMUM AT 1MHz TO 100MHz;
-1.5dB MAXIMUM AT 100MHz TO 125MHz;
- RETURN LOSS:
-16dB MINIMUM AT 1MHz TO 40MHz;
-10dB MINIMUM AT 40MHz TO 100MHz;
-6dB MINIMUM AT 100MHz TO 125MHz;
- CROSS TALK
-30dB MINIMUM AT 1MHz TO 100MHz;
-25dB MINIMUM AT 100MHz TO 125MHz;
- COMMON TO COMMON MADE REJECTION:
-30dB MINIMUM AT 1MHz TO 100MHz;
-25dB MINIMUM AT 100MHz TO 125MHz;
- OPERATING TEMPERATURE 0°C TO 70°C

 注① : 2.5G BASE-T TRANSFORMER MODULES

RoHS Compliant

TAG 億客科技股份有限公司
ECO TECH CO., LTD.

A4
SIZE

TAG PART NO.:
FS2402C

VENDOR PART NO.:

Drawn: Zhang Xue

Designed: Yang Tian

Approved: Deane

Date: 2015-3-17

THESE DRAWINGS AND SPECIFICATIONS ARE THE PROPERTY OF TAG TECHNOLOGY CO., LTD. AND SHALL NOT BE REPRODUCED OR USED AS THE BASIS FOR THE MANUFACTURE OR SELL OF APPARATUS OR DEVICES WITHOUT PERMISSION.



DESCRIPTION:
2.5G BASE-T TRANSFORMER MODULES

UNIT	mm[inch]	USED ON	
SHEET	2 OF 2	REV.	A