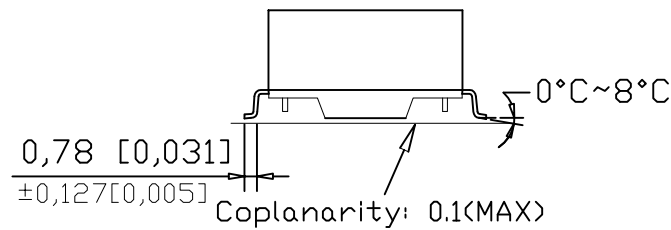
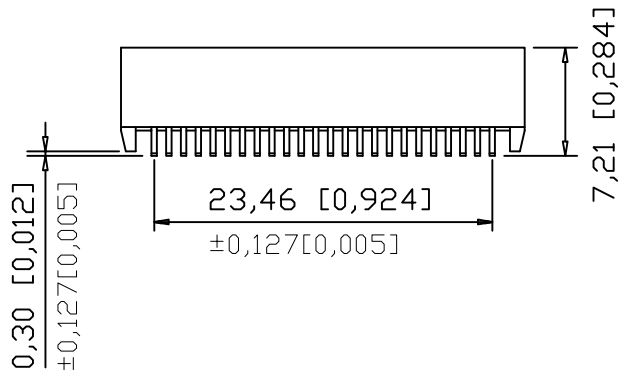
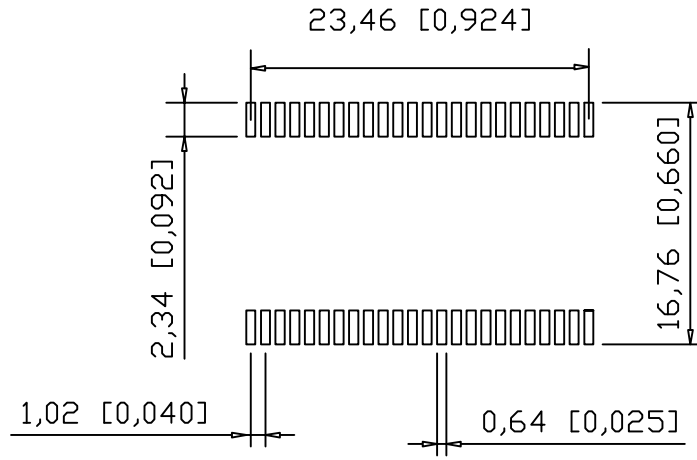
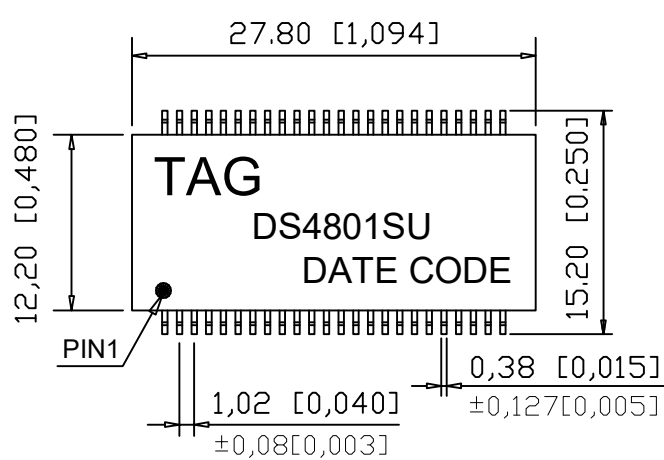


1. MECHANICAL DIMENSIONS :

REV.	CHANGGE DESCRIPTION	DATE
A	New Issue	2015-9-15



NOTE. DIMENSIONS:MM(INCHES)/UNLESS OTHERWISE SPECIFIED ALL TOLERANCES ARE ±0.50(0.020).

TAG 億客科技股份有限公司
ECO TECH CO., LTD.

A4
SIZE

TAG PART NO.:
DS4801SU

VENDOR PART NO.:

Drawn: Zhang Xue

Designed: Yang Tian

Approved: Deane

Date: 2015-9-15

THESE DRAWINGS AND SPECIFICATIONS ARE THE PROPERTY OF TAG TECHNOLOGY CO., LTD. AND SHALL NOT BE REPRODUCED OR USED AS THE BASIS FOR THE MANUFACTURE OR SELL OF APPARATUSES OR DEVICES WITHOUT PERMISSION.

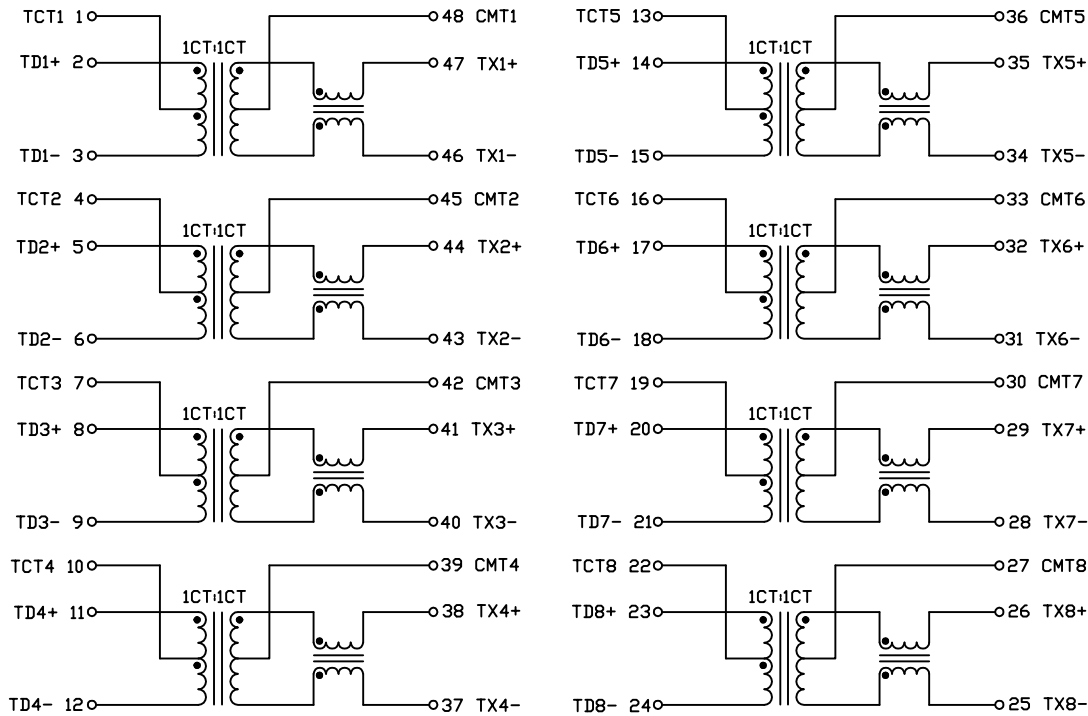


DESCRIPTION:
5G BASE-T TRANSFORMER MODULES

UNIT	mm[inch]	USED ON
SHEET	1	OF 2

REV. A

2. SCHEMATIC:



3. ELECTRICAL CHARACTERISTICS :

TEST NOTES:(25±5°C)

- TR:(100KHz,0.1V); 100%
PINS:(2,3):(47,46)=1:1±3%;(5,6):(44,43)=1:1±3%
PINS:(8,9):(41,40)=1:1±3%;(11,12):(38,37)=1:1±3%
PINS:(14,15):(35,34)=1:1±3%;(17,18):(32,31)=1:1±3%
PINS:(20,21):(29,28)=1:1±3%;(23,24):(26,25)=1:1±3%
- LX:(100KHz,100mV); 100%
PINS:(2,3),(5,6),(8,9),(11,12),(14,15),(17,18),(20,21),(23,24)=140uH MINIMUM
- DCR; 100%
PINS:(47,46),(44,43),(41,40),(38,37),(35,34),(32,31),(29,28),(26,25)=0.8Ω MAXIMUM
- HIPOT; 100%
PINS:(2,1,3)TD(47,48,46),(5,4,6)TD(44,45,43)=1500VAC FOR 60 SECONDS
PINS:(8,7,9)TD(41,42,40),(11,10,12)TD(38,39,37)=1500VAC FOR 60 SECONDS
PINS:(14,13,15)TD(35,36,34),(17,16,18)TD(32,33,31)=1500VAC FOR 60 SECONDS
PINS:(20,19,21)TD(29,30,28),(23,22,24)TD(26,27,25)=1500VAC FOR 60 SECONDS
- INSERTION LOSS:
-1.0dB Max AT 1MHz TO 100MHz
-2.0dB Max AT 100MHz TO 200MHz
-3.0dB Max AT 200MHz TO 400MHz
-4.0dB Max AT 400MHz TO 500MHz
- RETURN LOSS:
-16dB Min AT 1MHz TO 40MHz
-10dB Min AT 40MHz TO 100MHz
-17dB Min AT 200MHz TO 400MHz
-5dB Min AT 400MHz TO 500MHz
- Cross Talk:
-30dB Min AT 1MHz TO 100MHz
-16dB Min AT 100MHz TO 500MHz
- 1A CURRENT CAPABILITY.
- OPERATING TEMPERATURE 0°C to +70°C

TAG 億客科技股份有限公司
ECO TECH CO., LTD.

A4
SIZE

TAG PART NO.:
DS4801SU

VENDOR PART NO.:

Drawn: Zhang Xue

Designed: Yang Tian

Approved: Deane

Date: 2015-9-15

THESE DRAWINGS AND SPECIFICATIONS ARE THE PROPERTY OF TAG TECHNOLOGY CO., LTD. AND SHALL NOT BE REPRODUCED OR USED AS THE BASIS FOR THE MANUFACTURE OR SELL OF APPARATUS OR DEVICES WITHOUT PERMISSION.



DESCRIPTION:
5G BASE-T TRANSFORMER MODULES

UNIT	mm[inch]	USED ON
SHEET	2	OF 2
REV.	A	