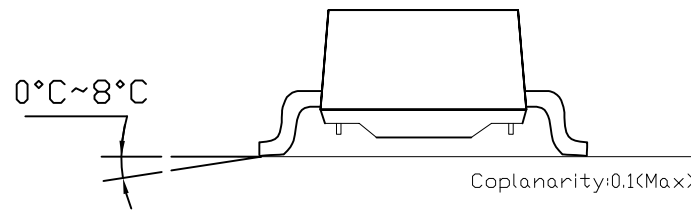
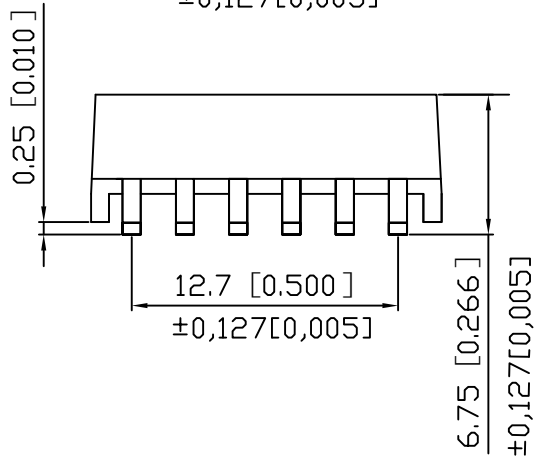
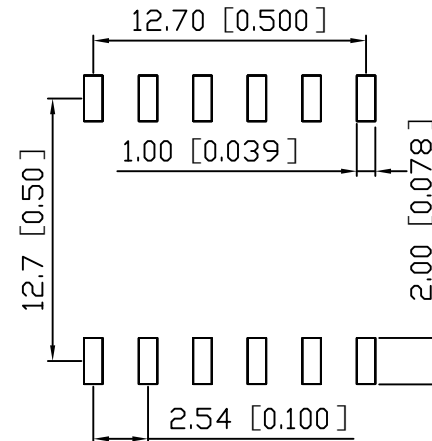
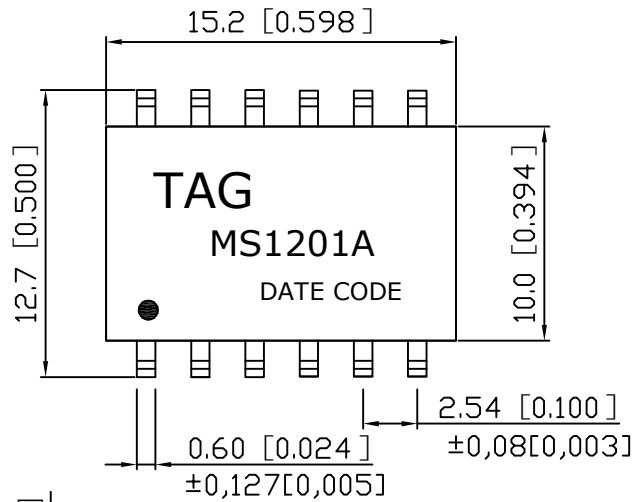


| REV. | CHANGE DESCRIPTION | DATE      |
|------|--------------------|-----------|
| A    | New Issue          | 2016-9-13 |
|      |                    |           |

# 1. MECHANICAL DIMENSIONS :

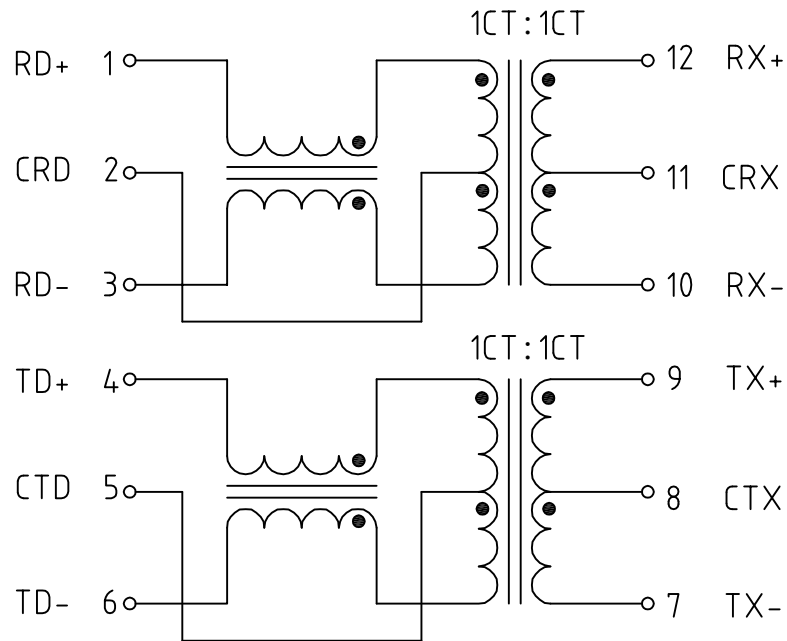


RoHS Compliant

NOTE. DIMENSIONS:MM(INCHES)/UNLESS OTHERWISE SPECIFIED ALL TOLERANCES ARE ±0.50(0.020).

|   |                        |   |                  |          |           |           |
|---|------------------------|---|------------------|----------|-----------|-----------|
| 億客科技股份有限公司<br>ECO TECH CO., LTD.  | A4<br>SIZE             | TAG PART NO.:<br>MS1201A                          | VENDOR PART NO.: |          | Drawn:    | Zhang Xue |
|   |                        |   |                  |          | Designed: | Yang Tian |
| THESE DRAWINGS AND SPECIFICATIONS ARE THE PROPERTY OF TAG TECHNOLOGY CO., LTD. AND SHALL NOT BE REPRODUCED OR USED AS THE BASIS FOR THE MANUFACTURE OR SELL OF APPARATUSES OR DEVICES WITHOUT PERMISSION. | THIRD ANGLE PROJECTION | DESCRIPTION:<br>10/100 BASE-T TRANSFORMER MODULES | UNIT             | mm[inch] | USED ON   |           |
|   |                        |   | SHEET            | 1 OF 2   | REV.      | A         |

## 2. SCHEMATIC:



## 3. ELECTRICAL CHARACTERISTICS :

TEST NOTES:(25°±5°C)

- TR:(100KHz,0.1V); 100%  
PINS:(1,3):(12,10)=1:1±3%;(4,6):(7,9)=1:1±3%
- LX:(100KHz,100mV,8mA, DC Bias) 100%  
PINS:(12,10),(7,9)=350uH MINIMUM
- DCR: 100%  
PINS:(1,3),(4,6)=1.2 Ω MAXIMUM
- HIPOT: 100%  
PINS(1,3,2)TO(12,11,10),(4,5,6)TO(7,8,9)=1500VAC FOR 60 SECONDS
- INSERTION LOSS:  
-1.0dB MAXIMUM AT 0.3MHz TO 100MHz;
- RETURN LOSS:  
-18dB MINIMUM AT 1MHz TO 40MHz;  
-15dB MINIMUM AT 40MHz TO 50MHz;  
-13dB MINIMUM AT 50MHz TO 60MHz;  
-10dB MINIMUM AT 60MHz TO 80MHz;
- CROSS TALK:  
-35dB MINIMUM AT 1MHz TO 100MHz;
- COMMON TO COMMON MODE REJECTION:  
-33dB MINIMUM AT 1KHz TO 100MHz
- OPERATING TEMPERATURE 0°C TO +70°C

RoHS Compliant

**TAG** 億客科技股份有限公司  
ECO TECH CO., LTD.

A4  
SIZE

TAG PART NO.:  
MS1201A

VENDOR PART NO.:

Drawn: Zhang Xue

Designed: Yang Tian

Approved: Deane

Date: 2016-9-13

THESE DRAWINGS AND SPECIFICATIONS ARE THE PROPERTY OF TAG TECHNOLOGY CO., LTD. AND SHALL NOT BE REPRODUCED OR USED AS THE BASIS FOR THE MANUFACTURE OR SELL OF APPARATUS OR DEVICES WITHOUT PERMISSION.



DESCRIPTION:

10/100 BASE-T TRANSFORMER MODULES

UNIT mm[inch]

USED ON

SHEET 2 OF 2

REV. A