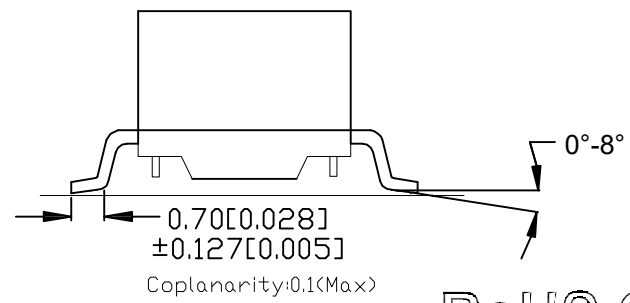
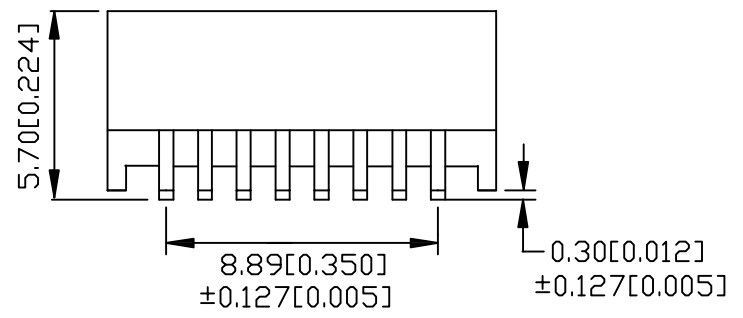
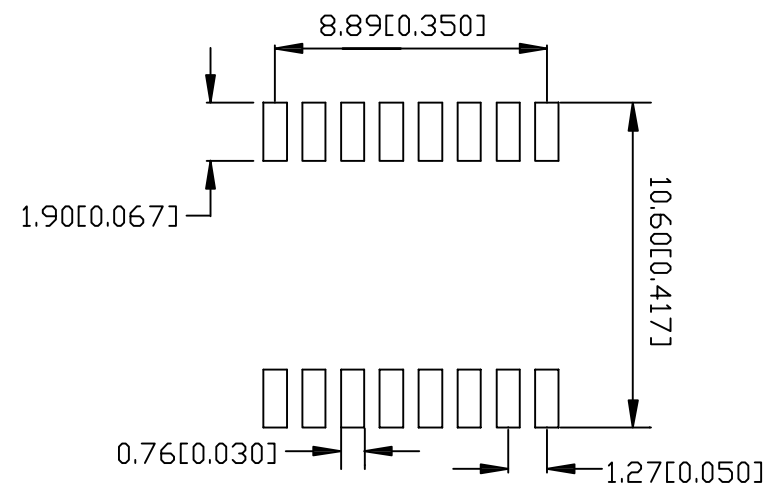
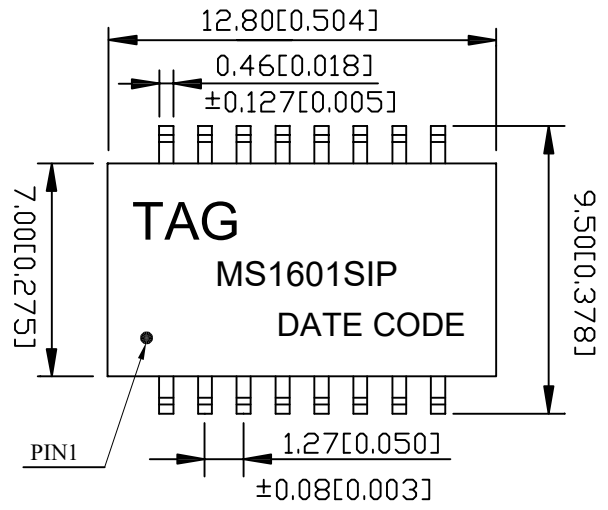


REV.	CHANGE DESCRIPTION	DATE
A	New Issue	2011-9-13
B	全档改为半档	2015-7-31

# 1. MECHANICAL DIMENSIONS :

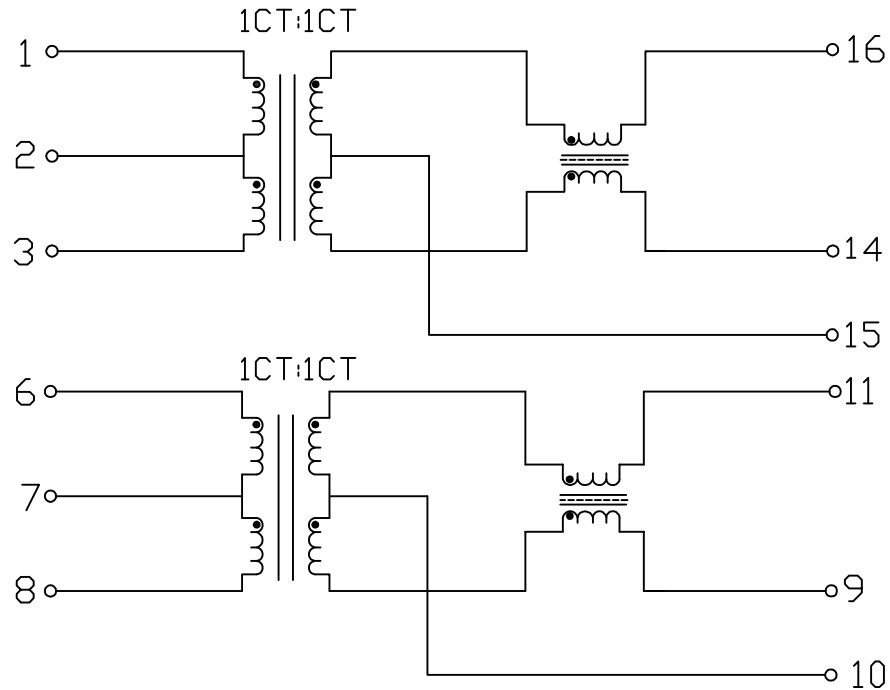


RoHS Compliant

NOTE. DIMENSIONS:MM(INCHES)/UNLESS OTHERWISE SPECIFIED ALL TOLERANCES ARE ±0.50(0.020).

億客科技股份有限公司 ECO TECH CO., LTD.	A4 SIZE	TAG PART NO.: MS1601SIP	VENDOR PART NO.:		Drawn: Zhang Xue
			UNIT mm[inch]	USED ON	Designed: Yang Tian
THESE DRAWINGS AND SPECIFICATIONS ARE THE PROPERTY OF TAG TECHNOLOGY CO., LTD. AND SHALL NOT BE REPRODUCED OR USED AS THE BASIS FOR THE MANUFACTURE OR SELL OF APPARATUS OR DEVICES WITHOUT PERMISSION.	THIRD ANGLE PROJECTION	DESCRIPTION: 10/100 BASE-T TRANSFORMER MODULES	SHEET 1 OF 2	REV. B	Approved: Deane
			DATE: 2015-7-31		

## 2. SCHEMATIC:



## 3. ELECTRICAL CHARACTERISTICS :

TEST NOTES:(25°±5°C)

1. TR:(100KHz,0.1V)  
PINS:(1,3)<(16,14)=1:1±3%;(6,8)<(11,9)=1:1±3%
2. LX:(100KHz,0.1V,8mA, DC Bias)  
PINS:(1,3)<(6,8)=350uH MINIMUM
3. DCR  
PINS:(16,14)<(11,9) =1.2Ω MAXIMUM
4. HIPOT:  
PINS:(1,2,3)TO PINS:(16,15,14)=1500VAC FOR 60 SECONDS  
PINS:(6,7,8)TO PINS:(11,10,9)=1500VAC FOR 60 SECONDS
5. INSERTION LOSS:  
-1.1dB MAXIMUM AT 1MHz TO 100MHz
6. RETURN LOSS:  
-18dB MINIMUM AT 0.3MHz TO 30MHz  
-16dB MINIMUM AT 30MHz TO 40MHz  
-14.5dB MINIMUM AT 40MHz TO 50MHz  
-12dNB MINIMUM AT 60MHz TO 80MHz
7. CROSS TALK:  
-42dB MINIMUM AT 0.3MHz TO 60MHz  
-35dB MINIMUM AT 60MHz TO 100MHz
8. CMRR:  
-40dB MINIMUM AT 0.3MHz TO 30MHz  
-35dB MINIMUM AT 30MHz TO 60MHz  
-30dB MINIMUM AT 80MHz TO 100MHz
9. 720mA CURRENT CAPABILITY.
10. OPERATING TEMPERATURE -40°C TO +85°C.

RoHS Compliant

**TAG**

億客科技股份有限公司  
ECO TECH CO., LTD.

A4  
SIZE

TAG PART NO.:  
MS1601SIP

VENDOR PART NO.:

Drawn: Zhang Xue

Designed: Yang Tian

Approved: Deane

Date: 2015-7-31

THESE DRAWINGS AND SPECIFICATIONS ARE THE PROPERTY OF TAG TECHNOLOGY CO., LTD. AND SHALL NOT BE REPRODUCED OR USED AS THE BASIS FOR THE MANUFACTURE OR SELL OF APPARATUS OR DEVICES WITHOUT PERMISSION.



DESCRIPTION:

10/100 BASE-T TRANSFORMER MODULES

UNIT mm[inch]

USED ON

SHEET 2 OF 2

REV. B