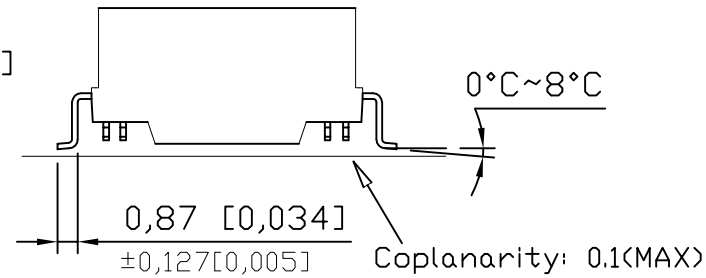
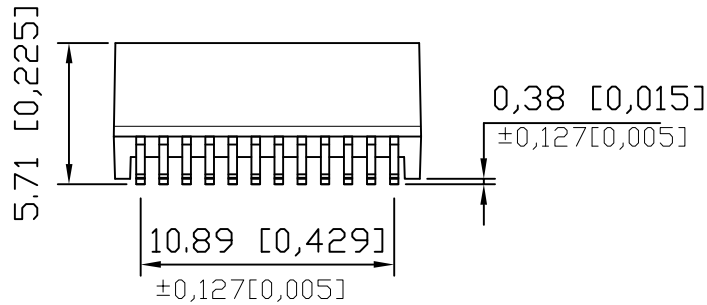
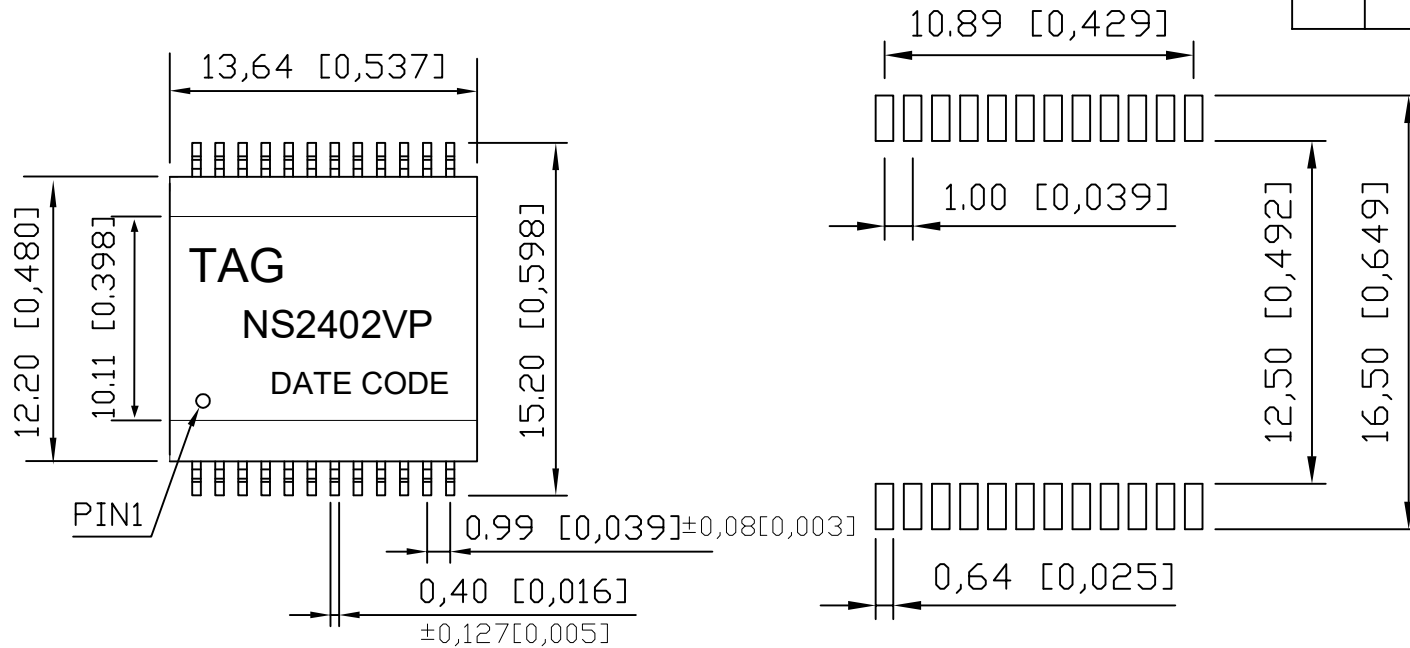


# 1. MECHANICAL DIMENSIONS :

REV.	CHANGE DESCRIPTION	DATE
A/0	New Issue	2023-6-26



RoHS Compliant

NOTE. DIMENSIONS:MM(INCHES)/UNLESS OTHERWISE SPECIFIED ALL TOLERANCES ARE  $\pm 0.25(0.010)$ .

**TAG**

億客科技股份有限公司  
ECO TECH CO., LTD.

A4  
SIZE

TAG PART NO.:  
NS2402VP

VENDOR PART NO.:

Drawn: Zhang Xue

Designed: Yang Tian

Approved: Deane

Date: 2023-6-26

THESE DRAWINGS AND SPECIFICATIONS ARE THE PROPERTY OF TAG TECHNOLOGY CO., LTD. AND SHALL NOT BE REPRODUCED OR USED AS THE BASIS FOR THE MANUFACTURE OR SELL OF APPARATUS OR DEVICES WITHOUT PERMISSION.



DESCRIPTION:  
10G BASE-T TRANSFORMER MODULES

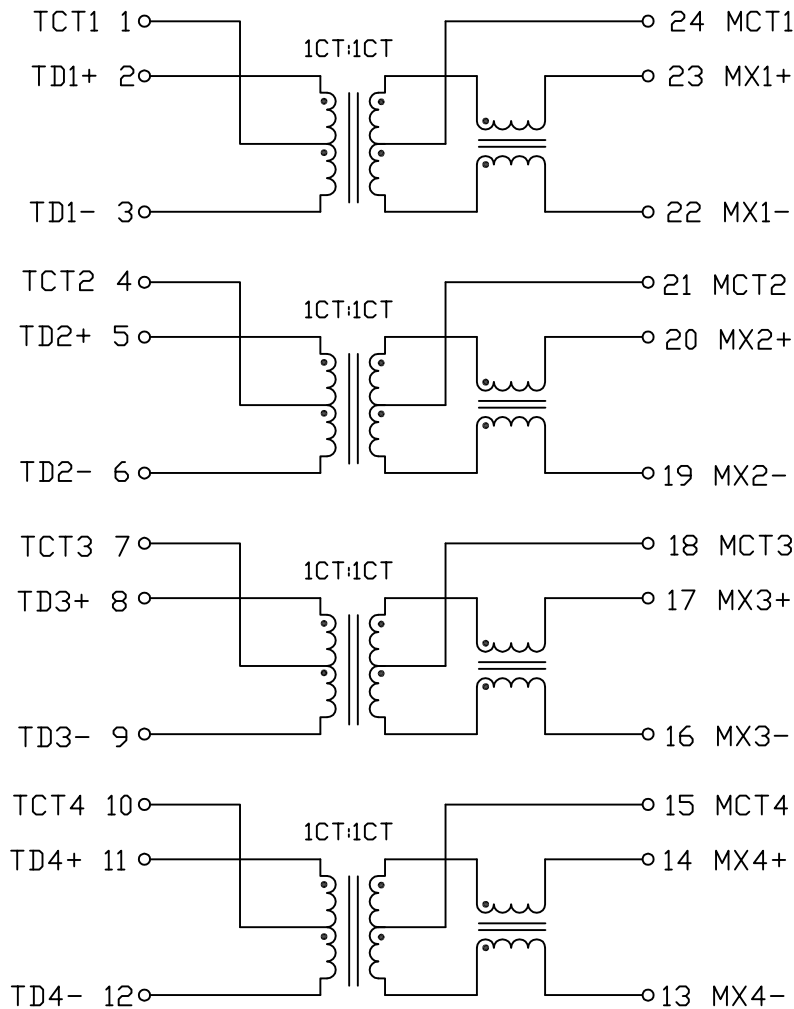
UNIT mm[inch]

USED ON

SHEET 1 OF 2

REV. A/0

## 2. SCHEMATIC:



## 3. ELECTRICAL CHARACTERISTICS :

TEST NOTES:(25°±5°C)

- TR:(100KHz,0.1V); 100%  
PINS:(2,3):(23,22)=1:1±3%;(5,6):(20,19)=1:1±3%  
PINS:(8,9):(17,16)=1:1±3%;(11,12):(14,13)=1:1±3%
- LX:(100KHz,0.1V) 100%  
PINS:(2,3),(5,6),(8,9),(11,12)=140uH MIN
- DCR: 100%  
PINS:(23,22),(20,19),(17,16),(14,13)=0.8Ω MAXIMUM
- HIPOT: 100%  
PINS(2,1,3)TO(23,24,22),(5,4,6)TO(20,21,19)=1500VAC FOR 60 SECONDS  
PINS(8,7,9)TO(17,18,16),(11,10,12)TO(14,15,13)=1500VAC FOR 60 SECONDS
- INSERTION LOSS:  
-1.0dB Max AT 1MHz TO 50MHz  
-1.5dB Max AT 50MHz TO 200MHz  
-2.0dB Max AT 200MHz TO 400MHz  
-3.0dB Max AT 400MHz TO 500MHz
- RETURN LOSS:  
-18dB Min AT 1MHz  
-13dB Min AT 2MHz TO 100MHz  
-10dB Min AT 100MHz TO 200MHz  
-7dB Min AT 200MHz TO 400MHz  
-6dB Min AT 400MHz TO 500MHz
- Cross Talk:  
-30dB Min AT 1MHz TO 100MHz  
-18dB Min AT 100MHz TO 500MHz
- 720mA CURRENT CAPABILITY.
- OPERATING TEMPERATURE 0°C TO 70°C.

RoHS Compliant

**TAG** 億客科技股份有限公司  
ECO TECH CO., LTD.

A4  
SIZE

TAG PART NO.:  
NS2402VP

VENDOR PART NO.:

Drawn: Zhang Xue

Designed: Yang Tian

Approved: Deane

Date: 2023-6-26

THESE DRAWINGS AND SPECIFICATIONS ARE THE PROPERTY OF TAG TECHNOLOGY CO., LTD. AND SHALL NOT BE REPRODUCED OR USED AS THE BASIS FOR THE MANUFACTURE OR SELL OF APPARATUS OR DEVICES WITHOUT PERMISSION.



DESCRIPTION:

10G BASE-T TRANSFORMER MODULES

UNIT	mm[inch]	USED ON
SHEET	2 OF 2	REV. A/0