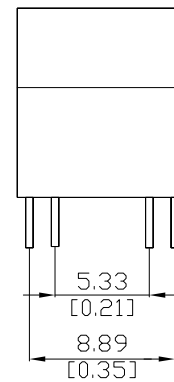
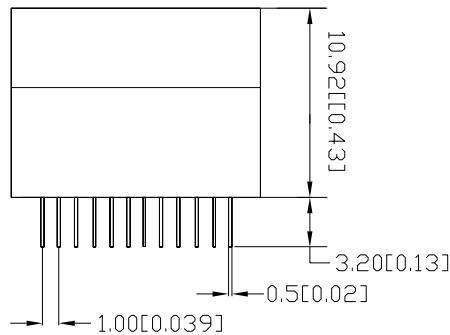
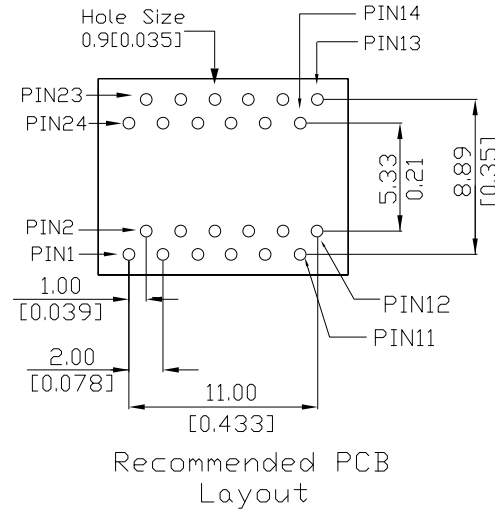
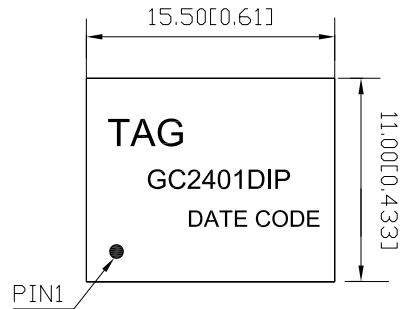


1. MECHANICAL DIMENSIONS :

REV.	CHANGGE DESCRIPTION	DATE
A	New Issue	2012-12-06
B	增加 PCB Layout圖	2016-5-11



RoHS Compliant

NOTE. DIMENSIONS:MM(INCHES)/UNLESS OTHERWISE SPECIFIED ALL TOLERANCES ARE ±0.25(0.010).

TAG 泰安吉科技(深圳)有限公司 TAG TECHNOLOGY CO., LTD.	A4 SIZE	TAG PART NO.: GC2401DIP	VENDOR PART NO.:		Drawn:	Rita	
					Designed:	Evan	
THESE DRAWINGS AND SPECIFICATIONS ARE THE PROPERTY OF TAG TECHNOLOGY CO., LTD. AND SHALL NOT BE REPRODUCED OR USED AS THE BASIS FOR THE MANUFACTURE OR SELL OF APPARATUSES OR DEVICES WITHOUT PERMISSION.	THIRD ANGLE PROJECTION	DESCRIPTION: 100/1000 BASE-T TRANSFORMER MODULES	UNIT	mm[inch]	USED ON	Approved:	Paul Li
			SHEET	1 OF 2	REV.	B	Date:

1

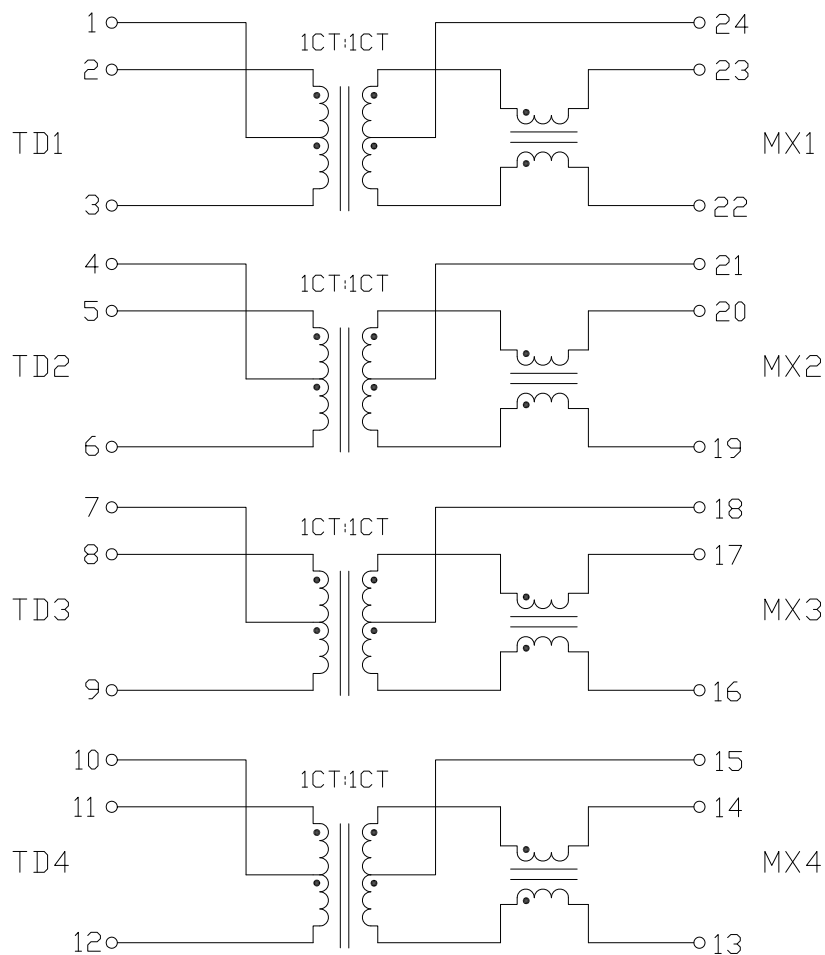
2

3

4

REV.	CHANGGE DESCRIPTION	DATE
A	New Issue	2012-12-06
B	增加 PCB Layout圖	2016-5-11

2. SCHEMATIC:



3. ELECTRICAL CHARACTERISTICS :

TEST NOTES:($25^{\circ}\pm 5^{\circ}\text{C}$)

- TR:(100KHz,0.1V); 100%
PINS:(2,3):(23,22)= $1:1\pm 3\%$;(5,6):(20,19)= $1:1\pm 3\%$
PINS:(8,9):(17,16)= $1:1\pm 3\%$;(11,12):(14,13)= $1:1\pm 3\%$
- LX:(100KHz,0.1V,8mA, DC Bias) 100%
PINS:(2,3),(5,6),(8,9),(11,12)=350uH MINIMUM
- DCR: 100%
PINS:(23,22),(20,19),(17,16),(14,13)= 1.2Ω MAXIMUM
- HIPOT: 100%
PINS(2,1,3)TO(23,24,22),(5,4,6)TO(20,21,19)=1500VAC FOR 60 SECONDS
PINS(8,7,9)TO(17,18,16),(11,10,12)TO(14,15,13)=1500VAC FOR 60 SECONDS
- INSERTION LOSS:
-1.1dB MAXIMUM AT 1MHz TO 100MHz;
- RETURN LOSS:
-18dB MINIMUM AT 1MHz TO 30MHz;
-12dB MINIMUM AT 60MHz TO 80MHz;
-10dB MINIMUM AT 80MHz TO 100MHz;
- CROSS TALK:
-40dB MINIMUM AT 1MHz TO 30MHz;
-35dB MINIMUM AT 30MHz TO 60MHz;
-30dB MINIMUM AT 60MHz TO 100MHz;
- COMMON TO COMMON MODE REJECTION:
-40dB MINIMUM AT 1MHz TO 30MHz
-35dB MINIMUM AT 30MHz TO 60MHz
-30dB MINIMUM AT 60MHz TO 100MHz
- 720mA CURRENT CAPABILITY.
- OPERATING TEMPERATURE -40°C TO $+85^{\circ}\text{C}$.

RoHS Compliant

TAG

泰安吉科技(深圳)有限公司
TAG TECHNOLOGY CO., LTD.

A4
SIZE

TAG PART NO.:
GC2401DIP

VENDOR PART NO.:

Drawn: Rita

Designed: Evan

Approved: Paul Li

Date: 2016-5-11

THESE DRAWINGS AND SPECIFICATIONS ARE THE PROPERTY OF TAG TECHNOLOGY CO., LTD. AND SHALL NOT BE REPRODUCED OR USED AS THE BASIS FOR THE MANUFACTURE OR SELL OF APPARATUSES OR DEVICES WITHOUT PERMISSION.

THIRD ANGLE
PROJECTION

DESCRIPTION:
100/1000 BASE-T TRANSFORMER MODULES

UNIT	mm[inch]	USED ON
SHEET	2 OF 2	REV. B

1

2

3

4