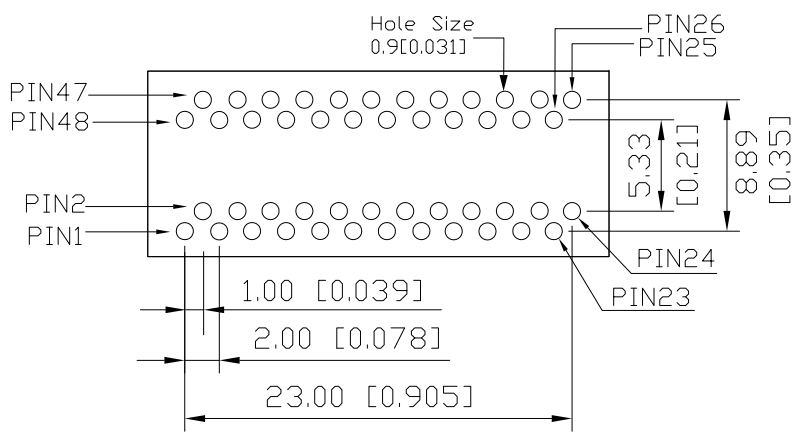
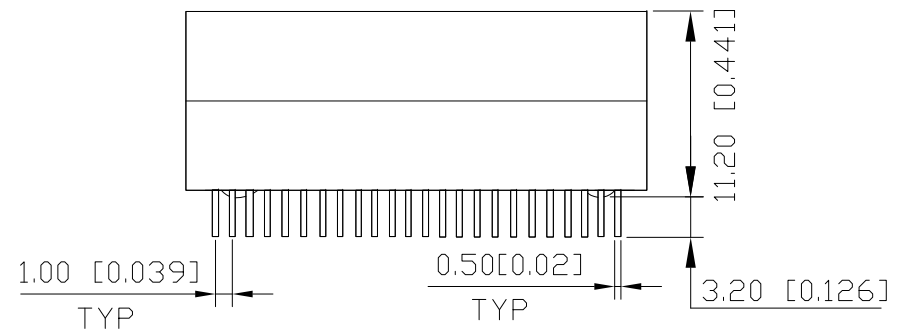
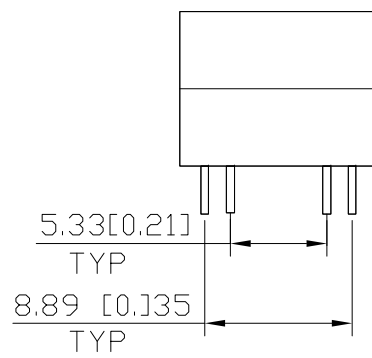
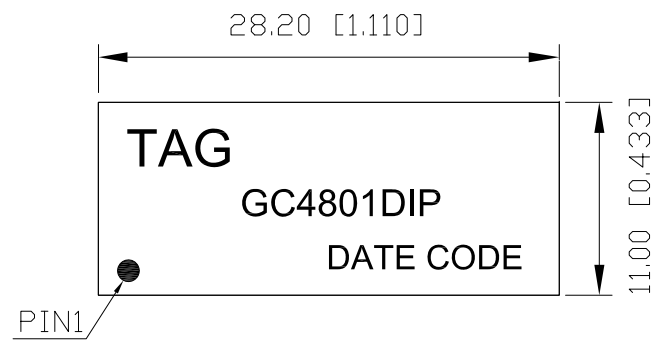


1. MECHANICAL DIMENSIONS :

| REV. | CHANGGE DESCRIPTION | DATE |
|------|---------------------|------------|
| A | New Issue | 2012-12-06 |
| B | 增加PCB Hole Size | 2016-5-12 |



RECOMMENDED PCB LAYOUT

RoHS Compliant

NOTE. DIMENSIONS:MM(INCHES)/UNLESS OTHERWISE SPECIFIED ALL TOLERANCES ARE ±0.25(0.010).

TAG 泰安吉科技(深圳)有限公司
TAG TECHNOLOGY CO., LTD.

A4
SIZE

TAG PART NO.:
GC4801DIP

VENDOR PART NO.:

Drawn: 肖丽芬

Designed: Evan

Approved: Paul Li

Date: 2016-5-12

THESE DRAWINGS AND SPECIFICATIONS ARE THE PROPERTY OF TAG TECHNOLOGY CO., LTD. AND SHALL NOT BE REPRODUCED OR USED AS THE BASIS FOR THE MANUFACTURE OR SELL OF APPARATUSES OR DEVICES WITHOUT PERMISSION.

THIRD ANGLE
PROJECTION

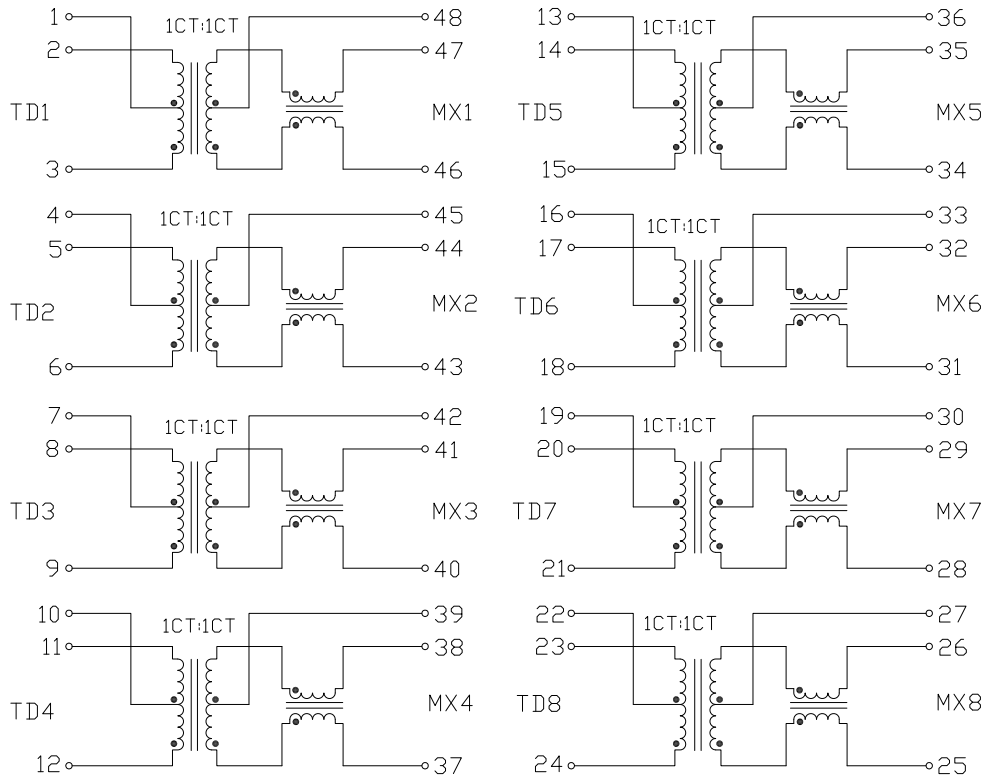
DESCRIPTION:

100/1000 BASE-T TRANSFORMER MODULES

UNIT mm USED ON

SHEET 1 OF 2 REV. 01

2. SCHEMATIC:



RoHS Compliant

| REV. | CHANGGE DESCRIPTION | DATE |
|------|---------------------|------------|
| A | New Issue | 2012-12-06 |
| B | 增加PCB Hole Size | 2016-5-12 |

3. ELECTRICAL CHARACTERISTICS :

TEST NOTES:(25°±5°C)

- TR:(100KHz,0.1V) ; 100%
PINS:(2,3):(47,46)=1:1±5%;(5,6):(44,43)=1:1±5%
PINS:(8,9):(41,40)=1:1±5%;(11,12):(38,37)=1:1±5%
PINS:(14,15):(35,34)=1:1±5%;(17,18):(32,31)=1:1±5%
PINS:(20,21):(29,28)=1:1±5%;(23,24):(26,25)=1:1±5%
- LX:(100KHz,100mV,8mA DC Bias); 100%
PINS:(2,3),(5,6),(8,9),(11,12),(14,15),(17,18),(20,21),(23,24)=350uH MINIMUM
- DCR ; 100%
PINS:(47,46),(44,43),(41,40),(38,37),(35,34),(32,31),(29,28),(26,25)=1.2Ω MAXIMUM
- Cw/w:
PINS:(2,3)T0<47,46>;(5,6)T0<44,43>;(8,9)T0<41,40>;(11,12)T0<38,37>=45pF MAX.
PINS:(14,15)T0<35,34>;(17,18)T0<32,31>;(20,21)T0<29,28>;(23,24)T0<26,25>=45pF MAX.
- LK ; 100%
PINS:(2,3)(short47,46);(5,6)(short44,43)=0.8uH MAX.
PINS:(8,9)(short41,40);(11,12)(short38,37)=0.8uH MAX.
PINS:(14,15)(short35,34);(17,18)(short32,31)=0.8uH MAX.
PINS:(20,21)(short29,28);(23,24)(short26,25)=0.8uH MAX.
- HIPOT; 100%
PINS:(2,1,3)T0<47,48,46>;(5,4,6)T0<44,45,43>=1500VAC FOR 60 SECONDS
PINS:(8,7,9)T0<41,42,40>;(11,10,12)T0<38,39,37>=1500VAC FOR 60 SECONDS
PINS:(14,13,15)T0<35,36,34>;(17,16,18)T0<32,33,31>=1500VAC FOR 60 SECONDS
PINS:(20,19,21)T0<29,30,28>;(23,22,24)T0<26,27,25>=1500VAC FOR 60 SECONDS
- INSERTION LOSS:
-1.0dB MAXINUM AT 1MHz TO 100MHz;
- RETURN LOSS:
-18dB MININUM AT 1MHz TO 30MHz;
-14.4dB MININUM AT 30MHz TO 40MHz;
-13.1dB MININUM AT 40MHz TO 50MHz;
-12dB MININUM AT 60MHz TO 80MHz;
-10dB MININUM AT 80MHz TO 100MHz;
- CROSS TALK
-40dB MININUM AT 1MHz TO 30MHz;
-35dB MININUM AT 30MHz TO 60MHz;
-30dB MININUM AT 60MHz TO 100MHz;
- COMMON TO COMMON MADE REJECTION:
-40dB MININUM AT 1MHz TO 30MHz;
-35dB MININUM AT 30MHz TO 60MHz;
-30dB MININUM AT 60MHz TO 100MHz;
- 720mA CURRENT CAPABILITY.
- OPERATING TEMPERATURE -40°C TO +85°C

TAG 泰安吉科技(深圳)有限公司
TAG TECHNOLOGY CO., LTD.

A4
SIZE

TAG PART NO.:
GC4801DIP

VENDOR PART NO.:

Drawn: 肖丽芬

Designed: Evan

Approved: Paul Li

Date: 2016-5-12

THESE DRAWINGS AND SPECIFICATIONS ARE THE PROPERTY OF TAG TECHNOLOGY CO., LTD. AND SHALL NOT BE REPRODUCED OR USED AS THE BASIS FOR THE MANUFACTURE OR SELL OF APPARATUSSES OR DEVICES WITHOUT PERMISSION.



DESCRIPTION:

100/1000 BASE-T TRANSFORMER MDDULES

UNIT mm USED ON

SHEET 2 OF 2

REV. 01