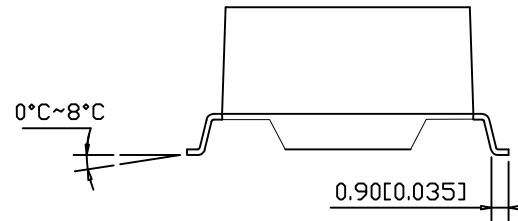
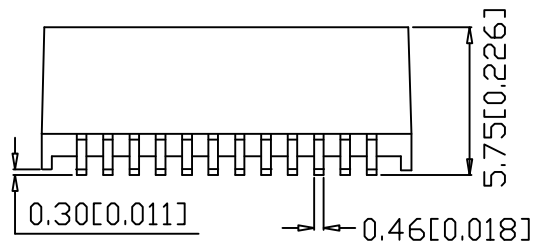
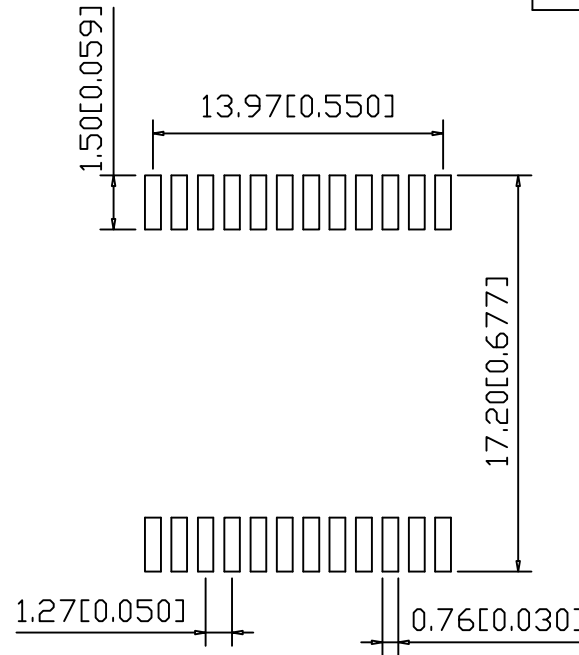
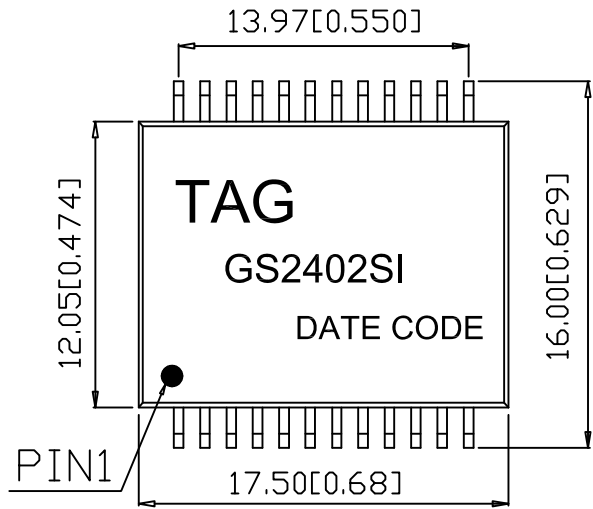


1. MECHANICAL DIMENSIONS :

REV.	CHANGGE DESCRIPTION	DATE
01	New Issue	2011-9-13



NOTE. DIMENSIONS:MM(INCHES)/UNLESS OTHERWISE SPECIFIED ALL TOLERANCES ARE ±0.25(0.010).

TAG 泰安吉科技有限公司
TAG TECHNOLOGY CO., LTD.

A4
SIZE

TAG PART NO.:
GS2402SI

VENDOR PART NO.:

Drawn: Rita

Designed: Evan

Approved: Paul Li

Date: 2011-9-13

THESE DRAWINGS AND SPECIFICATIONS ARE THE PROPERTY OF TAG TECHNOLOGY CO., LTD. AND SHALL NOT BE REPRODUCED OR USED AS THE BASIS FOR THE MANUFACTURE OR SELL OF APPARATUS OR DEVICES WITHOUT PERMISSION.



DESCRIPTION:
100/1000 BASE-T TRANSFORMER MODULES

UNIT mm[inch]

USED ON

SHEET 1 OF 2

REV. 01

1

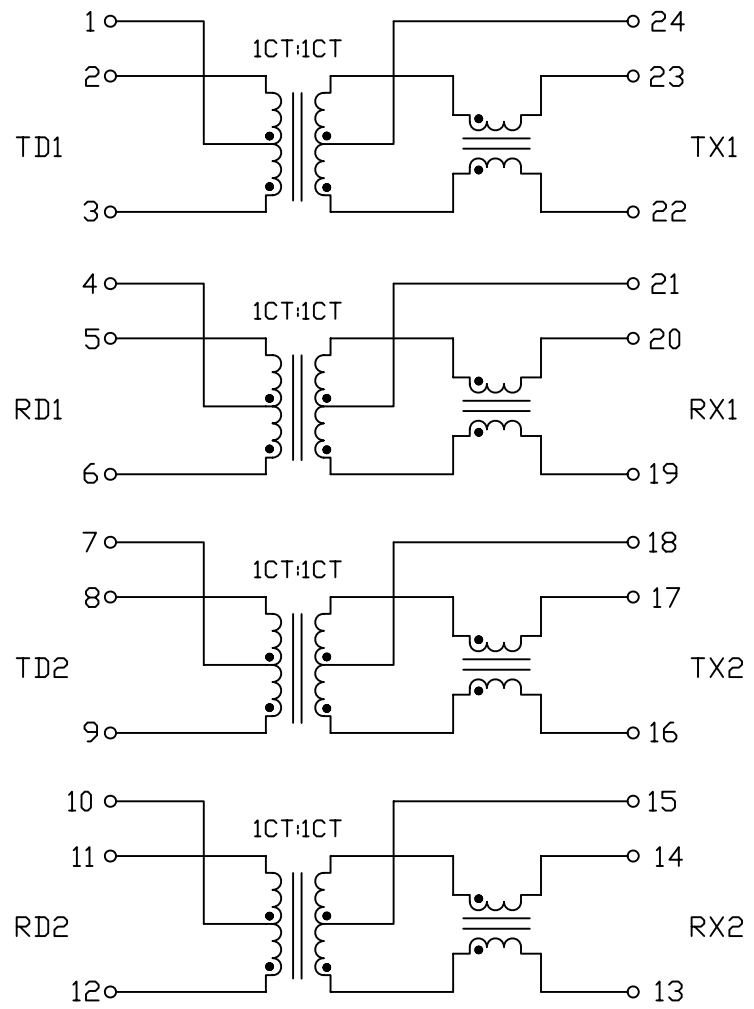
2

3

4

REV.	CHANGGE DESCRIPTION	DATE
01	New Issue	2011-9-13

2. SCHEMATIC:



3. ELECTRICAL CHARACTERISTICS :

TEST NOTES:(25°±5°C)

- TR:(100KHz,0.1V); 100%
PINS:(2,3)<(23,22)=1:1±3%;(5,6)<(20,19)=1:1±3%
PINS:(8,9)<(17,16)=1:1±3%;(11,12)<(14,13)=1:1±3%
- LX:(100KHz,0.1V,8mA, DC Bias) 100%
PINS:(2,3),(5,6),(8,9),(11,12)=350uH MINIMUM
- DCR: 100%
PINS:(23,22),(20,19),(17,16),(14,13)=1.2Ω MAXIMUM
- HIPOT: 100%
PINS(2,1,3)TO(23,24,22),(5,4,6)TO(20,21,19)=1500VAC FOR 60 SECONDS
PINS(8,7,9)TO(17,18,16),(11,10,12)TO(14,15,13)=1500VAC FOR 60 SECONDS
- INSERTION LOSS:
-1.0dB MAXIMUM AT 0.3MHz TO 100MHz;
- RETURN LOSS:
-16dB MINIMUM AT 1MHz TO 40MHz;
-14.1dB MINIMUM AT 40MHz TO 50MHz;
-12.5dB MINIMUM AT 50MHz TO 60MHz;
-10dB MINIMUM AT 60MHz TO 100MHz;
- CROSS TALK:
-42dB MINIMUM AT 1MHz TO 30MHz
-37dB MINIMUM AT 30MHz TO 60MHz
-33dB MINIMUM AT 60MHz TO 80MHz
- COMMON MODE REJECTION:
-42dB MINIMUM AT 1MHz TO 30MHz;
-37dB MINIMUM AT 30MHz TO 60MHz;
-33dB MINIMUM AT 60MHz TO 100MHz;
- OPERATING TEMPERATURE -40°C TO +85°C

A

B

C

A

B

C

TAG

泰安吉科技有限公司
TAG TECHNOLOGY CO., LTD.

A4
SIZE

TAG PART NO.:
GS2402SI

VENDOR PART NO.:

Drawn: Rita

Designed: Evan

Approved: Paul Li

Date: 2011-9-13

THESE DRAWINGS AND SPECIFICATIONS ARE THE PROPERTY OF TAG TECHNOLOGY CO., LTD. AND SHALL NOT BE REPRODUCED OR USED AS THE BASIS FOR THE MANUFACTURE OR SELL OF APPARATUSES OR DEVICES WITHOUT PERMISSION.



DESCRIPTION:

100/1000 BASE-T TRANSFORMER MODULES

UNIT

mm[inch]

USED ON

SHEET

2

OF 2

REV.

01

1

2

3

4