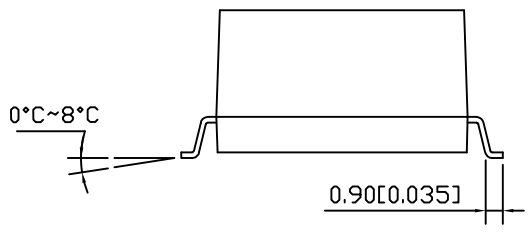
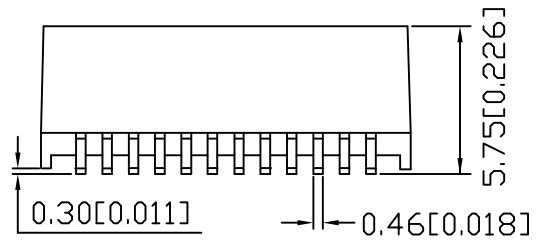
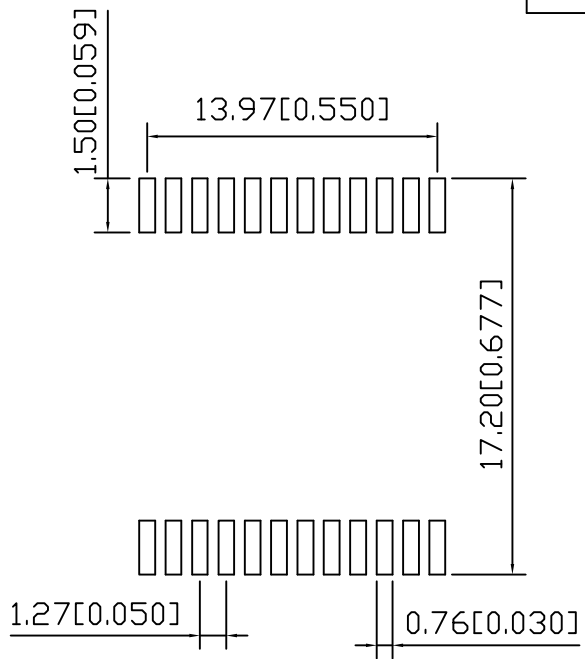
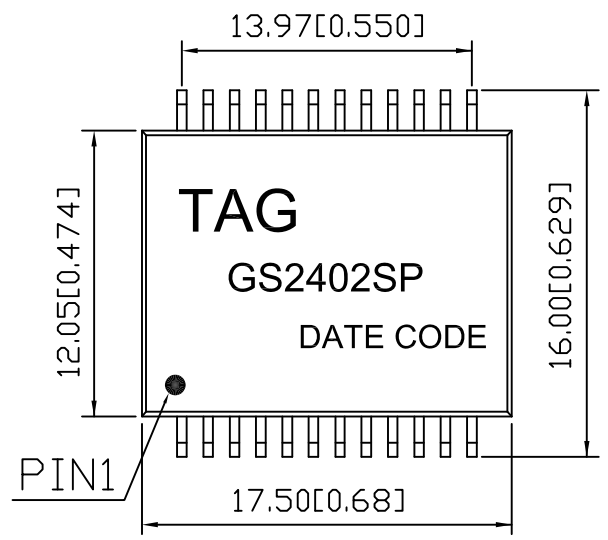


REV.	CHANGGE DESCRIPTION	DATE
01	New Issue	2011-9-14

1. MECHANICAL DIMENSIONS :



RoHS Compliant

NOTE. DIMENSIONS:MM(INCHES)/UNLESS OTHERWISE SPECIFIED ALL TOLERANCES ARE ±0.25(0.010).

泰安吉科技有限公司 TAG TECHNOLOGY CO., LTD.	A4 SIZE	TAG PART NO.: GS2402SP	VENDOR PART NO.:		Drawn:	Rita
			UNIT	mm[inch]	USED ON	DESIGNED:
THESE DRAWINGS AND SPECIFICATIONS ARE THE PROPERTY OF TAG TECHNOLOGY CO., LTD. AND SHALL NOT BE REPRODUCED OR USED AS THE BASIS FOR THE MANUFACTURE OR SELL OF APPARATUSES OR DEVICES WITHOUT PERMISSION.	THIRD ANGLE PROJECTION	DESCRIPTION: 100/1000 BASE-T TRANSFORMER MODULES	SHEET	1 OF 2	REV.	01
			Date:		2011-9-14	

1

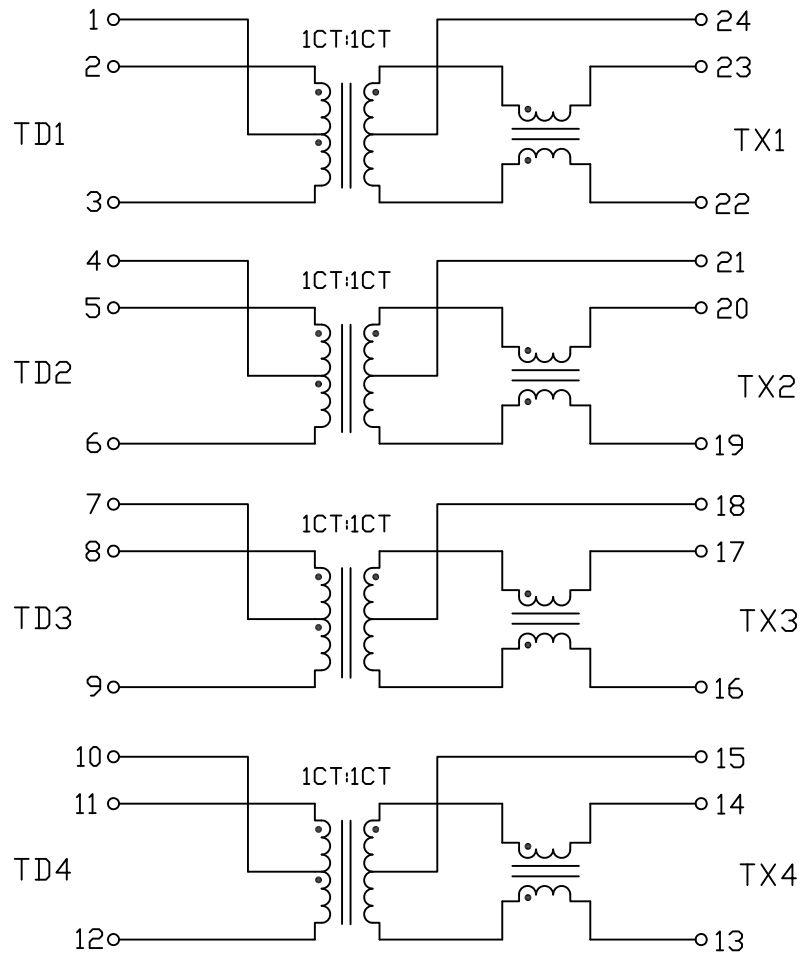
2

3

4

REV.	CHANGGE DESCRIPTION	DATE
01	New Issue	2011-9-14

2. SCHEMATIC:



3. ELECTRICAL CHARACTERISTICS :

TEST NOTES:($25^{\circ}\pm 5^{\circ}\text{C}$)

- TR:(100KHz,0.1V); 100%
PINS:(2,3):(23,22)= $1:1\pm 3\%$;(5,6):(20,19)= $1:1\pm 3\%$
PINS:(8,9):(17,16)= $1:1\pm 3\%$;(11,12):(14,13)= $1:1\pm 3\%$
- LX:(100KHz,0.1V,8mA, DC Bias) 100%
PINS:(2,3),(5,6),(8,9),(11,12)=350uH MINIMUM
- DCR: 100%
PINS:(23,22),(20,19),(17,16),(14,13)= 1.2Ω MAXIMUM
- HIPOT: 100%
PINS(2,1,3)TO(23,24,22),(5,4,6)TO(20,21,19)=1500VAC FOR 60 SECONDS
PINS(8,7,9)TO(17,18,16),(11,10,12)TO(14,15,13)=1500VAC FOR 60 SECONDS
- INSERTION LOSS:
-1.0dB MAXIMUM AT 1MHz TO 100MHz;
- RETURN LOSS:
-16dB MINIMUM AT 1MHz TO 30MHz;
-12dB MINIMUM AT 30MHz TO 60MHz;
-10dB MINIMUM AT 60MHz TO 80MHz;
- CROSS TALK:
-45dB MINIMUM AT 1MHz TO 30MHz
-40dB MINIMUM AT 30MHz TO 60MHz
-35dB MINIMUM AT 80MHz TO 100MHz
- COMMON MODE REJECTION:
-42dB MINIMUM AT 1MHz TO 30MHz;
-40dB MINIMUM AT 30MHz TO 60MHz;
-35dB MINIMUM AT 80MHz TO 100MHz;
- 720mA CURRENT CAPABILITY.
- OPERATING TEMPERATURE 0°C TO 70°C

RoHS Compliant

TAG 泰安吉科技有限公司
TAG TECHNOLOGY CO., LTD.

A4
SIZE

TAG PART NO.:
GS2402SP

VENDOR PART NO.:

Drawn: Rita

Designed: Evan

Approved: Paul Li

Date: 2011-9-14

THESE DRAWINGS AND SPECIFICATIONS ARE THE PROPERTY OF TAG TECHNOLOGY CO., LTD. AND SHALL NOT BE REPRODUCED OR USED AS THE BASIS FOR THE MANUFACTURE OR SELL OF APPARATUSES OR DEVICES WITHOUT PERMISSION.



DESCRIPTION:

100/1000 BASE-T TRANSFORMER MODULES

UNIT	mm[inch]	USED ON	
SHEET	2 OF 2	REV.	01

1

2

3

4