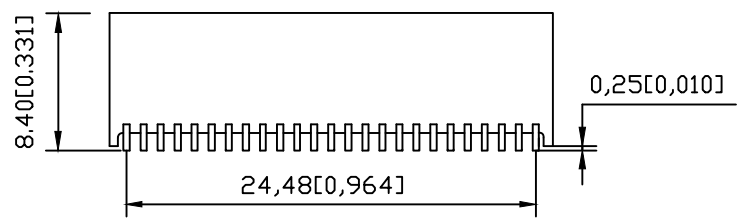
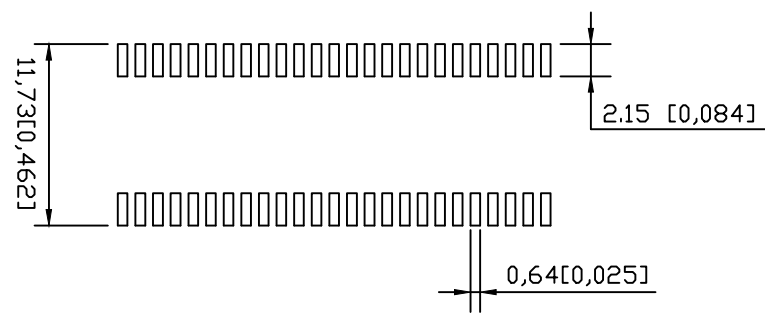
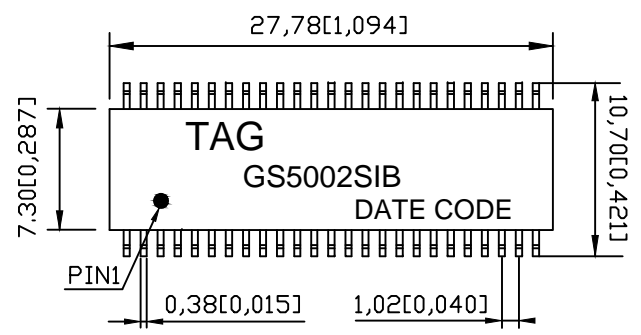


REV.	CHANGGE DESCRIPTION	DATE
A	New Issue	2019-2-20

1. MECHANICAL DIMENSIONS :



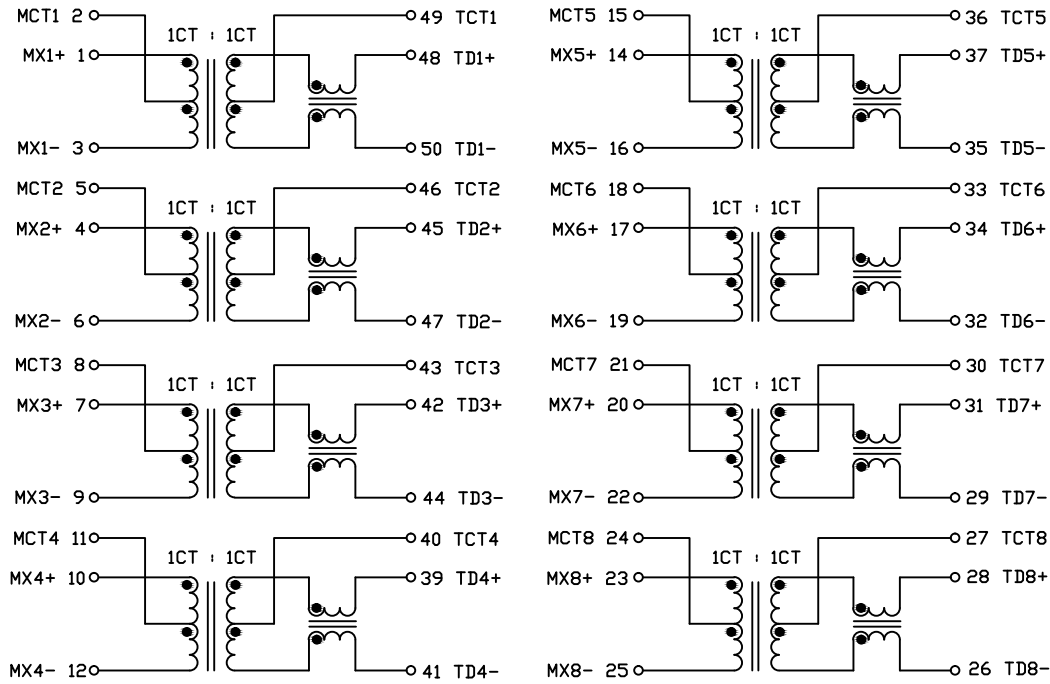
RoHS Compliant

NOTE. DIMENSIONS:MM(INCHES)/UNLESS OTHERWISE SPECIFIED ALL TOLERANCES ARE ±0.50(0.020).

亿客科技股份有限公司 ECO TECH CO., LTD.	A4 SIZE	TAG PART NO.: GS5002SIB	VENDOR PART NO.:		Drawn: 罗宾艳
					Designed: Evan
THESE DRAWINGS AND SPECIFICATIONS ARE THE PROPERTY OF TAG TECHNOLOGY CO., LTD. AND SHALL NOT BE REPRODUCED OR USED AS THE BASIS FOR THE MANUFACTURE OR SELL OF APPARATUSSES OR DEVICES WITHOUT PERMISSION.	THIRD ANGLE PROJECTION	DESCRIPTION: 100/1000 BASE-T TRANSFORMER MODULES	UNIT: mm[inch]	USED ON:	Approved: Paul Li
			SHEET 1 OF 2	REV. A	Date: 2019-2-20

REV.	CHANGGE DESCRIPTION	DATE
A	New Issue	2019-2-20

2. SCHEMATIC:



3. ELECTRICAL CHARACTERISTICS :

TEST NOTES:(25°±5°C)

- TR:(100KHz,0.1V); 100%  
PINS:(1,3):(48,50)=1:1±2%;(4,6):(45,47)=1:1±2%  
PINS:(7,9):(42,44)=1:1±2%;(10,12):(39,41)=1:1±2%  
PINS:(14,16):(37,35)=1:1±2%;(17,19):(34,32)=1:1±2%  
PINS:(20,22):(31,29)=1:1±2%;(23,25):(28,26)=1:1±2%
- LX:(100KHz,100mV,8mA, DC Bias); 100%  
PINS:(1,3),(4,6),(7,9),(10,12),(14,16),(17,19),(20,22),(23,25)=350uH MINIMUM
- DCR; 100%  
PINS:(48,50),(45,47)(42,44),(39,41),(37,35),(34,32),(31,29),(28,26)=1.4Ω MAXIMUM
- HIPOT; 100%  
PINS:(1,2,3)TD(48,49,50),(4,5,6)TD(45,46,47)=1500VAC FOR 60 SECONDS  
PINS:(7,8,9)TD(42,43,44),(10,11,12)TD(39,40,41)=1500VAC FOR 60 SECONDS  
PINS:(14,15,16)TD(37,36,35),(17,18,19)TD(34,33,32)=1500VAC FOR 60 SECONDS  
PINS:(20,21,22)TD(31,30,29),(23,24,25)TD(28,27,26)=1500VAC FOR 60 SECONDS
- INSERTION LOSS:  
-1.1dB MAXIMUM AT 1MHz TO 100MHz;
- RETURN LOSS:  
-16dB MINIMUM AT 1MHz TO 30MHz;  
-16dB MINIMUM AT 30MHz TO 40MHz;  
-14.1dB MINIMUM AT 40MHz TO 50MHz;  
-12.5dB MINIMUM AT 50MHz TO 60MHz;  
-10dB MINIMUM AT 60MHz TO 80MHz;
- CROSS TALK  
-40dB MINIMUM AT 1MHz TO 30MHz;  
-35dB MINIMUM AT 30MHz TO 60MHz;  
-30dB MINIMUM AT 60MHz TO 100MHz;
- COMMON MODE REJECTION:  
-30dB MINIMUM AT 1MHz TO 100MHz;
- 1.2A CURRENT CAPABILITY.
- OPERATING TEMPERATURE -40°C to +85°C

RoHS Compliant

**TAG** 億客科技股份有限公司  
ECO TECH CO., LTD.

A4  
SIZE

TAG PART NO.:  
GS5002SIB

VENDOR PART NO.:

Drawn: 罗宾艳

Designed: Evan

Approved: Paul Li

Date: 2019-2-20

THESE DRAWINGS AND SPECIFICATIONS ARE THE PROPERTY OF TAG TECHNOLOGY CO., LTD. AND SHALL NOT BE REPRODUCED OR USED AS THE BASIS FOR THE MANUFACTURE OR SELL OF APPARATUS OR DEVICES WITHOUT PERMISSION.



DESCRIPTION:

100/1000 BASE-T TRANSFORMER MODULES

UNIT	mm[inch]	USED ON
SHEET	2 OF 2	REV. A