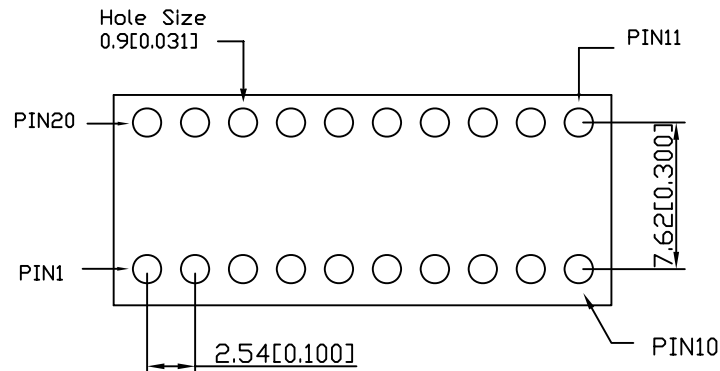
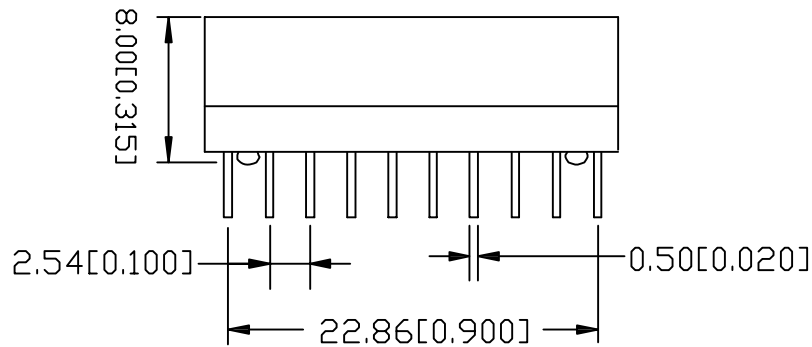
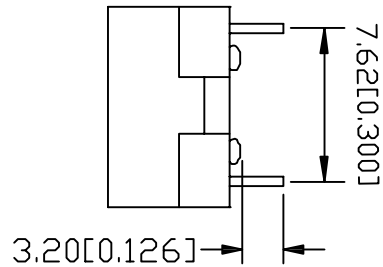
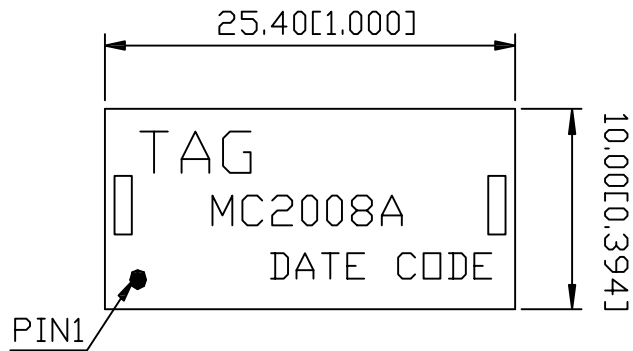


REV.	CHANGGE DESCRIPTION	DATE
A	New Issue	2017-3-13

1. MECHANICAL DIMENSIONS :



Recommended PCB Layout

NOTE.DIMENSIONS : MM(INCHES)/ UNLESS OTHERWISE SPECIFIED ALL TOLERANCES ARE ±0.25(0.010).

RoHS Compliant

TAG

泰安吉科技(深圳)有限公司
TAG TECHNOLOGY CO., LTD.

A4
SIZE

TAG PART NO.:
MC2008A

VENDOR PART NO.:

Drawn: 罗宾艳

Designed: 杨田田

Approved: Deane

Date: 2017-3-13

THESE DRAWINGS AND SPECIFICATIONS ARE THE PROPERTY OF TAG TECHNOLOGY CO., LTD. AND SHALL NOT BE REPRODUCED OR USED AS THE BASIS FOR THE MANUFACTURE OR SELL OF APPARATUSSES OR DEVICES WITHOUT PERMISSION.

THIRD ANGLE
PROJECTION

DESCRIPTION:
10/100 BASE-T CHIP MODULES

UNIT mm[inch]

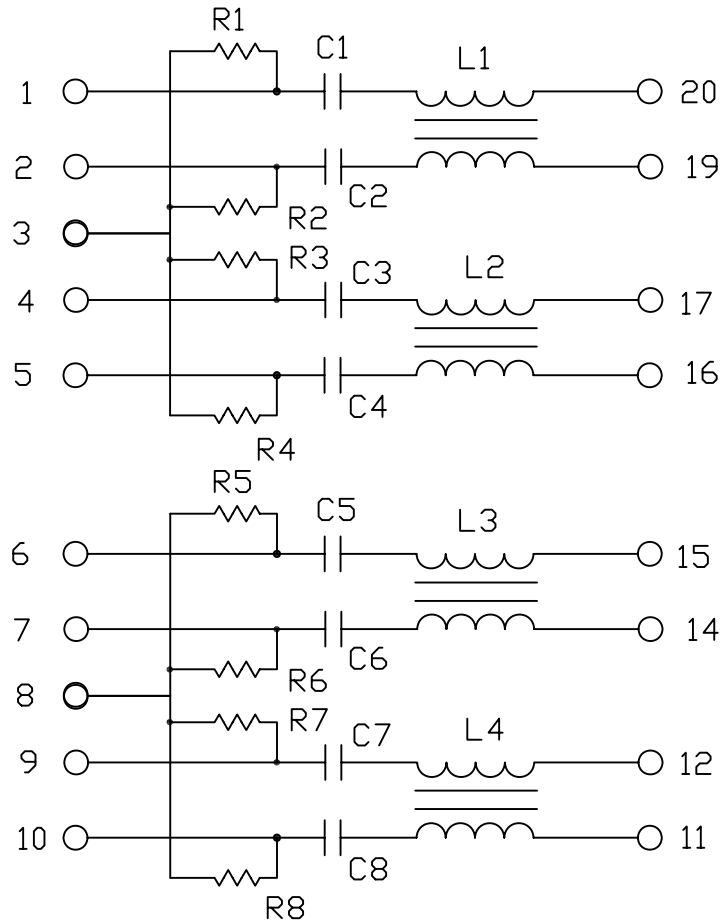
USED ON

SHEET 1 OF 2

REV. A

REV.	CHANGGE DESCRIPTION	DATE
A	New Issue	2017-3-13

2. SCHEMATIC:



3. ELECTRICAL CHARACTERISTICS :

TEST NOTES:($25^{\circ}\pm 5^{\circ}\text{C}$)

- IMPEDANCE (100MHz)
 $L1=L2=L3=L4=90\Omega \pm 25\%$
- DCR; 100%
 $R1=R2=R3=R4=R5=R6=R7=R8=500\Omega \pm 25\%$
- C_x :(100KHz 0.1V)
 $C1=C2=C3=C4=C5=C6=C7=C8=0.1\mu\text{F} \pm 25\%$
- INSERTION LOSS:
 -1.0dB MAXINUM AT 1MHz TO 100MHz;
- RETURN LOSS:
 -18dB MININUM AT 1MHz TO 40MHz;
 -14dB MININUM AT 40MHz TO 60MHz;
 -12dB MININUM AT 60MHz TO 80MHz;
 -10dB MININUM AT 80MHz TO 100MHz;
- CROSS TALK
 -40dB MININUM AT 1MHz TO 30MHz;
 -35dB MININUM AT 30MHz TO 60MHz;
 -30dB MININUM AT 60MHz TO 100MHz;
- OPERATING TEMPERATURE: 0°C TO 70°C

RoHS Compliant

TAG

泰安吉科技(深圳)有限公司
TAG TECHNOLOGY CO., LTD.

A4
SIZE

TAG PART NO.:
MC2008A

VENDOR PART NO.:

Drawn: 罗宾艳

Designed: 杨田田

Approved: Deane

Date: 2017-3-13

THESE DRAWINGS AND SPECIFICATIONS ARE THE PROPERTY OF TAG TECHNOLOGY CO., LTD. AND SHALL NOT BE REPRODUCED OR USED AS THE BASIS FOR THE MANUFACTURE OR SELL OF APPARATUS OR DEVICES WITHOUT PERMISSION.



DESCRIPTION:
10/100 BASE-T CHIP MODULES

UNIT mm[inch]

USED ON

SHEET 2 OF 2

REV. A