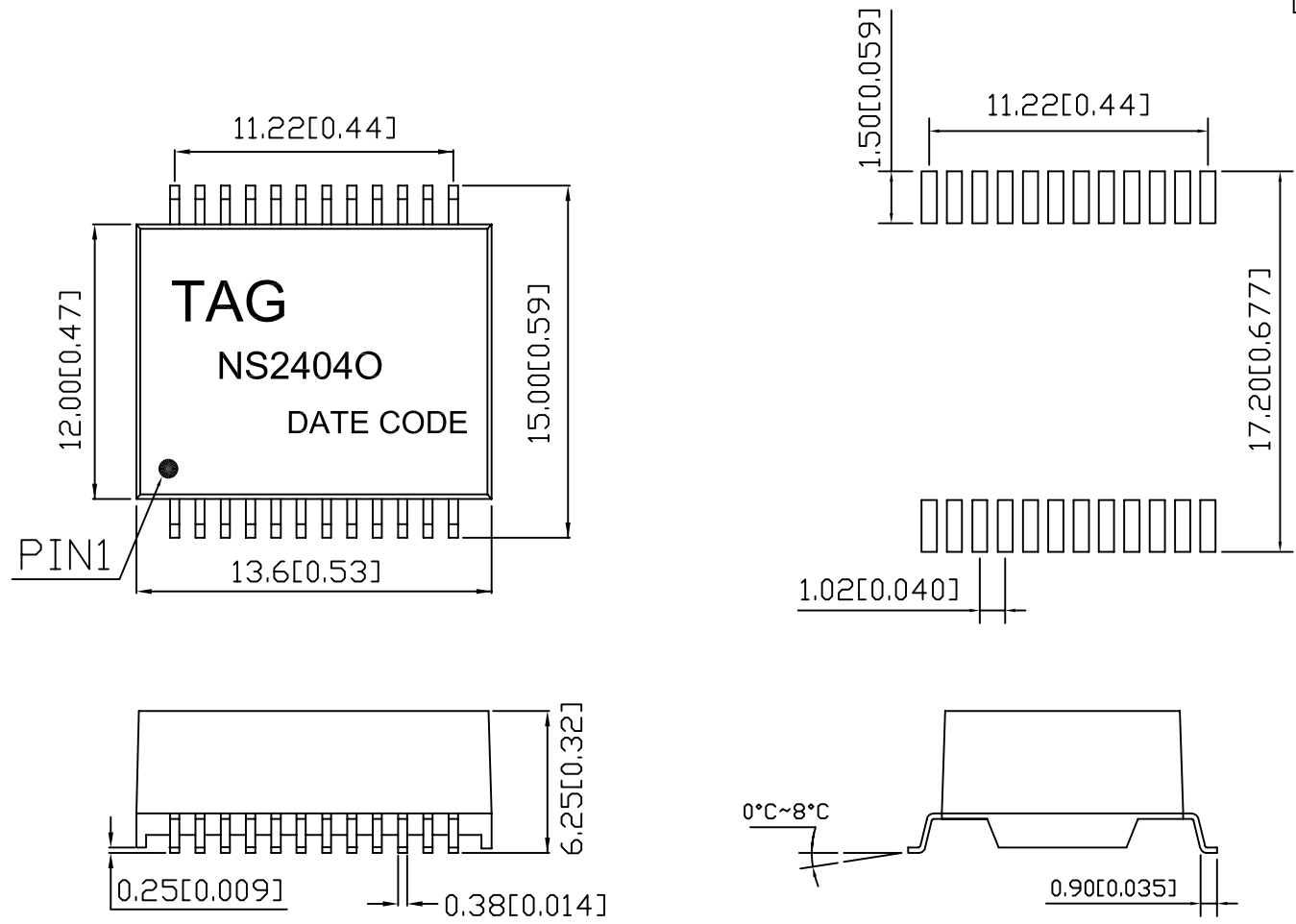


REV.	CHANGGE DESCRIPTION	DATE
A	New Issue	2014-7-2

1. MECHANICAL DIMENSIONS :



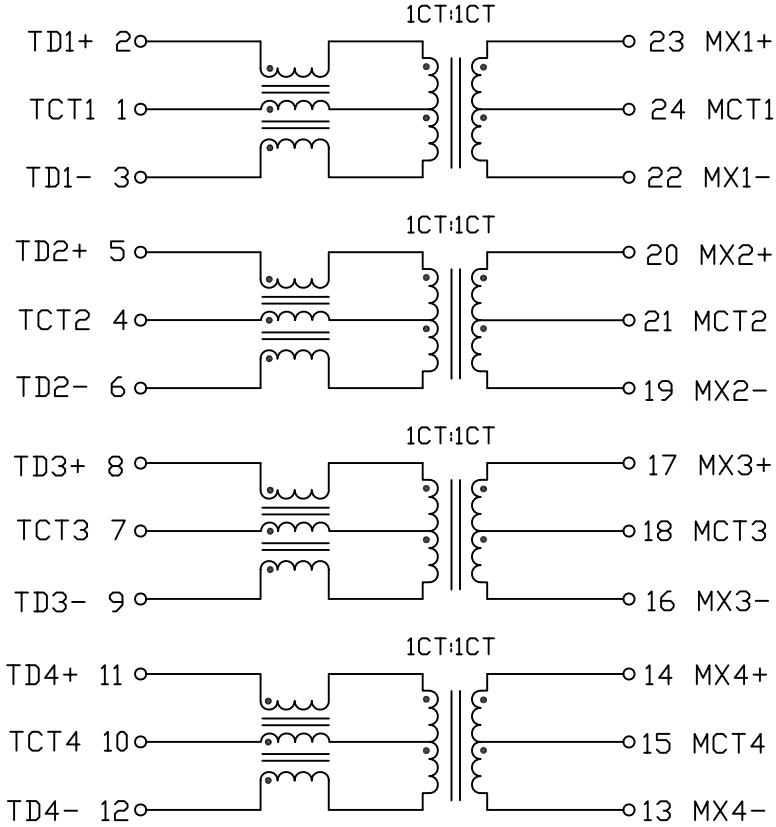
RoHS Compliant

NOTE. DIMENSIONS:MM(INCHES)/UNLESS OTHERWISE SPECIFIED ALL TOLERANCES ARE ±0.25(0.010).

TAG 泰安吉科技有限公司 TAG TECHNOLOGY CO., LTD.	A4 SIZE	TAG PART NO.: NS24040	VENDOR PART NO.:		Drawn:	Rita
					Designed:	Evan
<small>THESE DRAWINGS AND SPECIFICATIONS ARE THE PROPERTY OF TAG TECHNOLOGY CO., LTD. AND SHALL NOT BE REPRODUCED OR USED AS THE BASIS FOR THE MANUFACTURE OR SELL OF APPARATUSES OR DEVICES WITHOUT PERMISSION.</small>	THIRD ANGLE PROJECTION	DESCRIPTION: 10G BASE-T TRANSFORMER MODULES	UNIT	mm[inch]	USED ON	
			SHEET	1 OF 2	REV.	A

REV.	CHANGGE DESCRIPTION	DATE
A	New Issue	2014-7-2

2. SCHEMATIC:



3. ELECTRICAL CHARACTERISTICS :

- TEST NOTES:($25^{\circ}\pm 5^{\circ}\text{C}$)
- TR:(100KHz,0.1V); 100%
PINS:(2,3)<(23,22)=1:1±3%;(5,6)<(20,19)=1:1±3%
PINS:(8,9)<(17,16)=1:1±3%;(11,12)<(14,13)=1:1±3%
 - LX:(100KHz,0.1V) 100%
PINS:(23,22)<(20,19)<(17,16)<(14,13)=140uH MIN
 - DCR: 100%
PINS:(2,3)<(5,6)<(8,9)<(11,12)=0.8 MAXIMUM
 - HIPOT: 100%
PINS(2,1,3)TO(23,24,22)<(5,4,6)TO(20,21,19)=1500VAC FOR 60 SECONDS
PINS(8,7,9)TO(17,18,16)<(11,10,12)TO(14,15,13)=1500VAC FOR 60 SECONDS
 - INSERTION LOSS:
-1.0dB Max AT 1MHz TO 50MHz
-1.5dB Max AT 50MHz TO 200MHz
-2.0dB Max AT 200MHz TO 400MHz
-3.0dB Max AT 400MHz TO 500MHz
 - RETURN LOSS:
-18dB Min AT 1MHz
-13dB Min AT 2MHz TO 100MHz
-10dB Min AT 100MHz TO 200MHz
-7dB Min AT 200MHz TO 400MHz
-6dB Min AT 400MHz TO 500MHz
 - Cross Talk:
-30dB Min AT 1MHz TO 100MHz
-18dB Min AT 100MHz TO 500MHz
 - OPERATING TEMPERATURE 0°C TO 70°C.

RoHS Compliant

泰安吉科技有限公司 TAG TECHNOLOGY CO., LTD.	A4 SIZE	TAG PART NO.: NS2404O	VENDOR PART NO.:		Drawn:	肖丽芬
			UNIT	mm[inch]	USED ON	DESIGNED:
THESE DRAWINGS AND SPECIFICATIONS ARE THE PROPERTY OF TAG TECHNOLOGY CO., LTD. AND SHALL NOT BE REPRODUCED OR USED AS THE BASIS FOR THE MANUFACTURE OR SELL OF APPARATUSES OR DEVICES WITHOUT PERMISSION.	THIRD ANGLE PROJECTION	DESCRIPTION: 10G BASE-T TRANSFORMER MODULES	SHEET	2 OF 2	REV.	A
			Approved:		Date:	