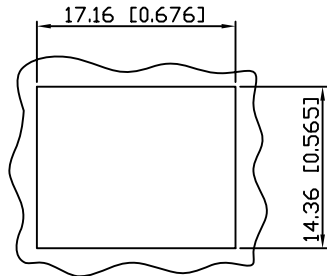
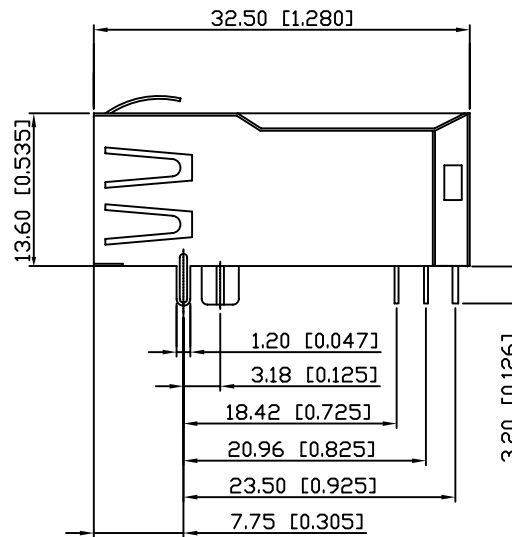
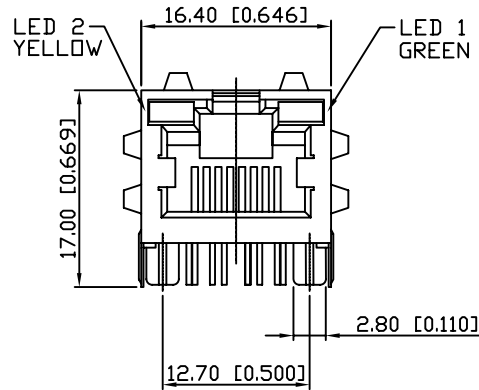
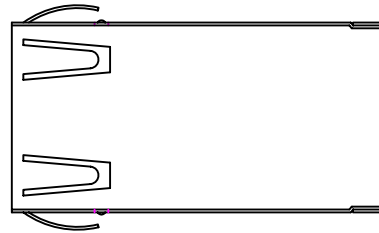


# 1. MECHANICAL DIMENSIONS :

REV.	CHANGGE DESCRIPTION	DATE
A	New Issue	2017-4-13



RECOMMENDED  
PANEL CUTOUT DIMENSION



## NOTES:

### 1. MATERIALS:

HOUSING: PBT POLYESTER, UL94V-0, BLACK

CONTACTS: 0.35mm THICK PHOS-BRONZE PLATED WITH 50u" GOLD AND TIN IN SOLDER AREA.

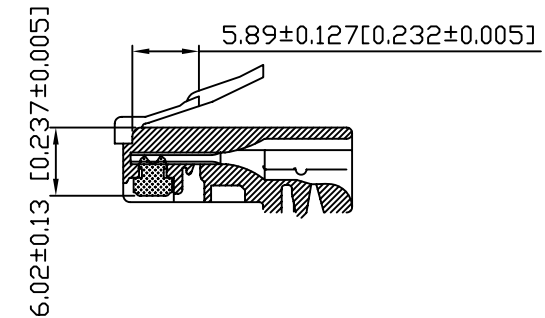
SHIELD: 0.25mm THICK COPPER ALLOY, PLATED WITH NICKEL.

### 2. OPERATING TEMPERATURE: 0°C TO +70°C

### 3. CAVITY CONFORMS TO FCC RULES AND REGULATIONS PART 68, SUBPART F.

### 4. UNSPECIFIED TOLERANCE: .XX ±0.25 [0.010] .X ±0.30 [0.012]

## RECOMMENED PLUG DIMENSION:



RoHS Compliant

**TAG**

泰安吉科技有限公司  
TAG TECHNOLOGY CO., LTD.

A4  
SIZE

TAG PART NO.:  
T04-011-N01-015

VENDOR PART NO.:

Drawn: Rita

Designed: Robin

Approved: Deane

Date : 2017-4-13

THESE DRAWINGS AND SPECIFICATIONS ARE THE PROPERTY OF TAG TECHNOLOGY CO., LTD. AND SHALL NOT BE REPRODUCED OR USED AS THE BASIS FOR THE MANUFACTURE OR SELL OF APPARATUSES OR DEVICES WITHOUT PERMISSION.

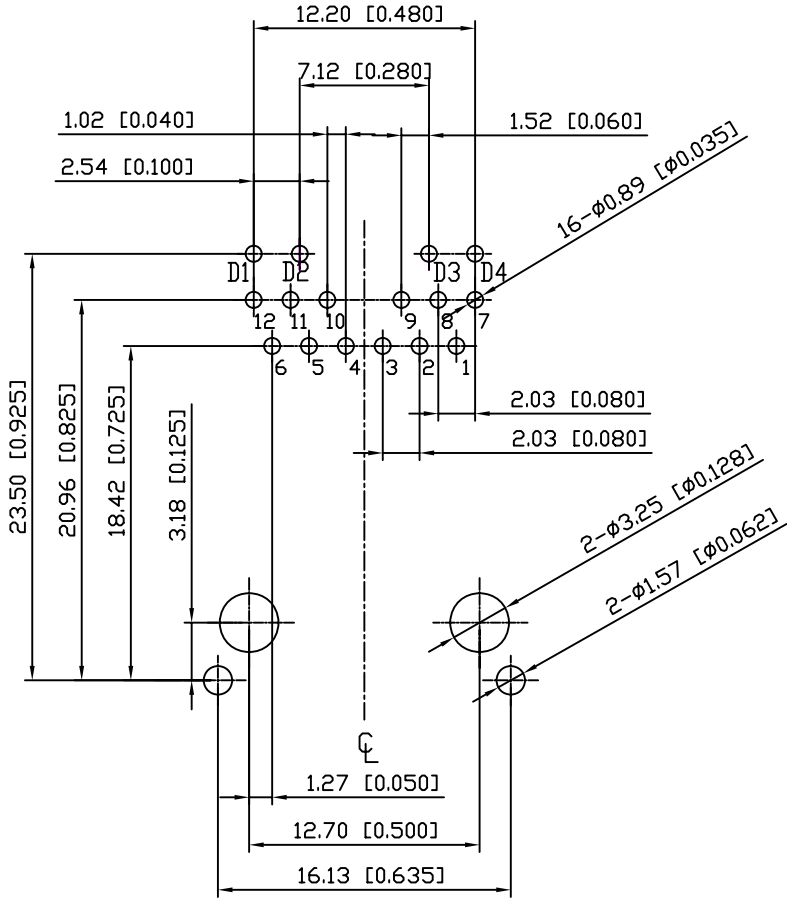


DESCRIPTION:  
10G Base-T RJ45

UNIT mm[inch] USED ON  
SHEET 1 OF 3 REV. A

REV.	CHANGGE DESCRIPTION	DATE
A	New Issue	2017-4-13

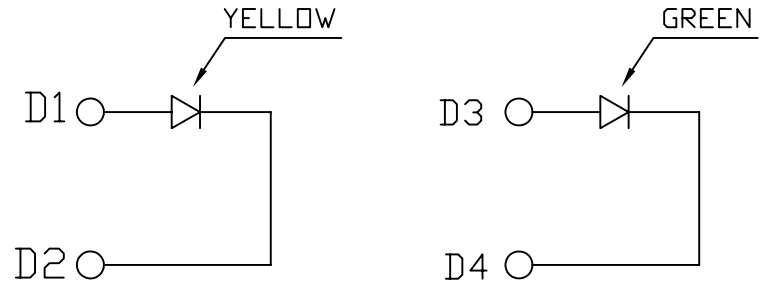
2. PCB LAYOUT :



SUGGESTED PCB LAYOUT  
TOP VIEW

DIMENSIONAL TOLERANCE: .XX ±0.08[0.003]

3. LED CONFIGURATION :



**TAG**

泰安吉科技有限公司  
TAG TECHNOLOGY CO., LTD.

A4  
SIZE

TAG PART NO.:  
T04-011-N01-015

VENDOR PART NO.:

Drawn: Rita

Designed: Evan

THESE DRAWINGS AND SPECIFICATIONS ARE THE PROPERTY OF TAG TECHNOLOGY CO., LTD. AND SHALL NOT BE REPRODUCED OR USED AS THE BASIS FOR THE MANUFACTURE OR SELL OF APPARATUSES OR DEVICES WITHOUT PERMISSION.

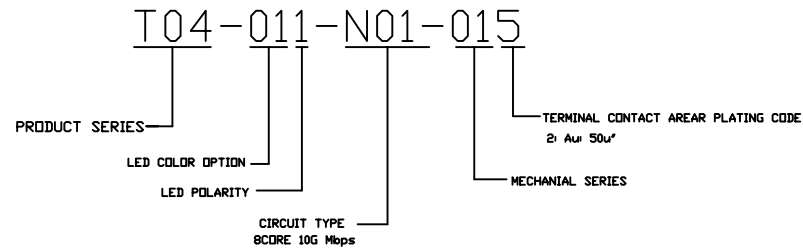
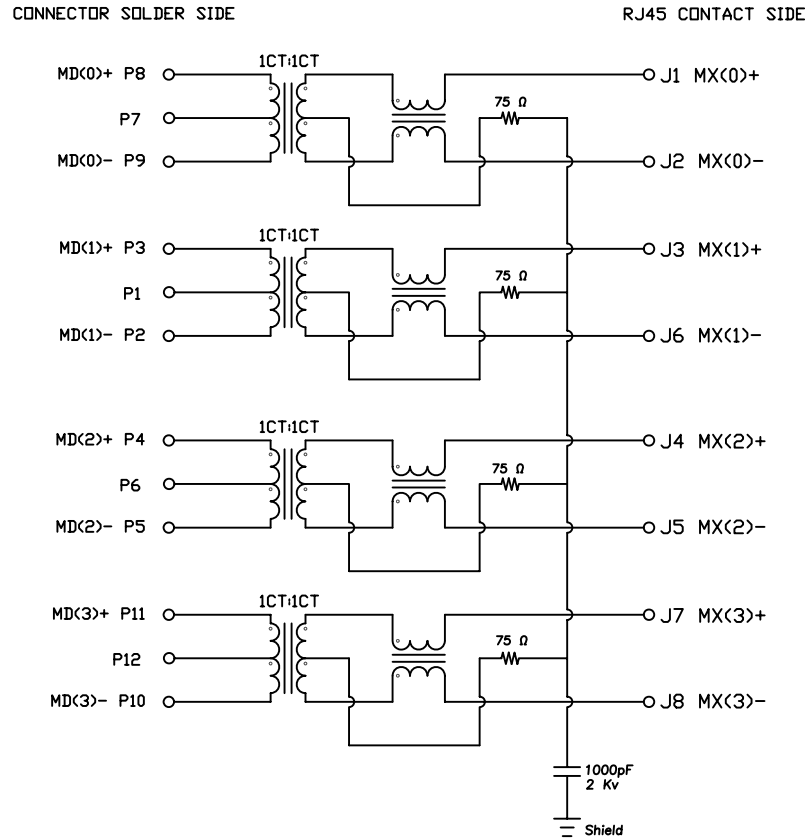
THIRD ANGLE  
PROJECTION

DESCRIPTION:  
10G Base-T RJ45

UNIT	mm	USED ON	
SHEET	2	OF	3
REV.	A		

Approved: Paul Li  
Date : 2016-4-13

# 4. SCHEMATIC:



# 5. ELECTRICAL CHARACTERISTICS :

- TR:(100KHz,0.1V);  
PINS:(P8,P9):(J1,J2)=1:1±3%;(P3,P2):(J3,J6)=1:1±3%  
PINS:(P4,P5):(J4,J5)=1:1±3%;(P11,P10):(J7,J8)=1:1±3%
- LX:(100KHz,100mv)  
PINS:(P8,P9),(P3,P2),(P4,P5),(P11,P10)=140uH MINIMUM
- DCR:  
PINS:(J1,J2),(J3,J6),(J4,J5),(J7,J8)=1.2 ohm MAXIMUM
- HIPOT:  
PINS(P8,P9) TO (J1,J2),(P3,P2) TO (J3,J6)=2250VDC FOR 60 SECONDS
- INSERTION LOSS:  
-1.0dB Max AT 1MHz TO 50MHz  
-1.5dB Max AT 50MHz TO 200MHz  
-2.0dB Max AT 200MHz TO 400MHz  
-3.0dB Max AT 400MHz TO 500MHz
- RETURN LOSS:  
-18dB Min AT 1MHz  
-13dB Min AT 2MHz TO 100MHz  
-10dB Min AT 100MHz TO 200MHz  
-7dB Min AT 200MHz TO 400MHz  
-6dB Min AT 400MHz TO 500MHz
- Cross Talk:  
-30dB Min AT 1MHz TO 100MHz  
-18dB Min AT 100MHz TO 500MHz

**TAG** 泰安吉科技有限公司  
TAG TECHNOLOGY CO., LTD.

A4  
SIZE

TAG PART NO.:  
T04-011-N01-015

VENDOR PART NO.:

Drawn: Rita

Designed: Evan

Approved: Paul Li

Date : 2015-4-13

THESE DRAWINGS AND SPECIFICATIONS ARE THE PROPERTY OF TAG TECHNOLOGY CO., LTD. AND SHALL NOT BE REPRODUCED OR USED AS THE BASIS FOR THE MANUFACTURE OR SELL OF APPARATUSSES OR DEVICES WITHOUT PERMISSION.



DESCRIPTION:  
10G Base-T RJ45

UNIT	mm	USED ON	
SHEET	3	OF	3

REV. A