

# 1. MECHANICAL DIMENSIONS :

REV.	CHANGGE DESCRIPTION	DATE
A	New Issue	2015-9-16

## NOTES:

### 1. MATERIALS:

HOUSING: PBT POLYESTER, UL94V-0, BLACK

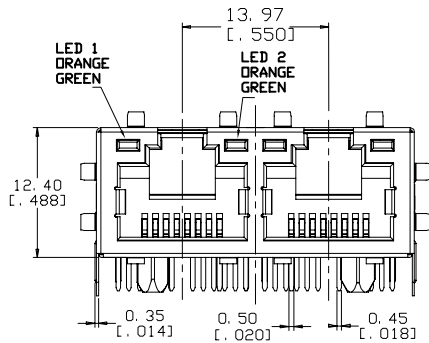
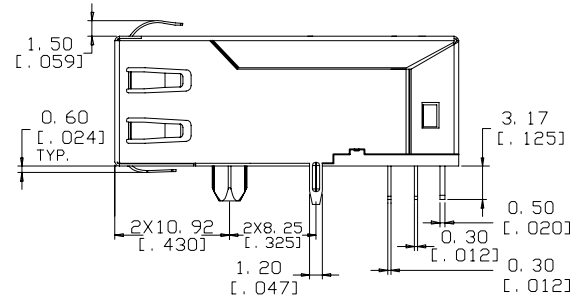
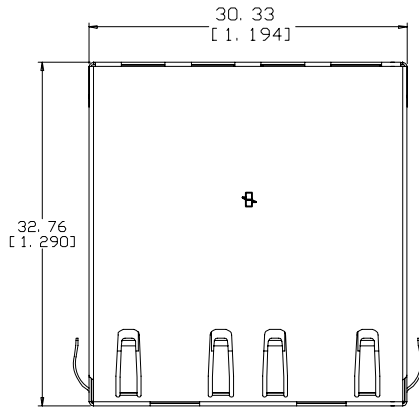
CONTACTS: 0.35mm THICK PHOS-BRONZE PLATED WITH 50u" GOLD AND TIN IN SOLDER AREA.

SHIELD: 0.25mm THICK COPPER ALLOY, PLATED WITH NICKEL.

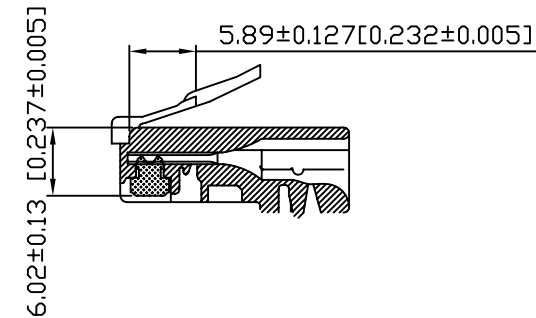
### 2. OPERATING TEMPERATURE: 0°C TO +70°C

### 3. CAVITY CONFORMS TO FCC RULES AND REGULATIONS PART 68, SUBPART F.

### 4. UNSPECIFIED TOLERANCE: .XX ±0.25 [0.010] .X ±0.30 [0.012]



## RECOMMENED PLUG DIMENSION:



RoHS Compliant

**TAG**

泰安吉科技有限公司  
TAG TECHNOLOGY CO., LTD.

A4  
SIZE

TAG PART NO.:  
T28-071-N01-015

VENDOR PART NO.:

Drawn: Rita

Designed: Evan

Approved: Paul Li

Date : 2015-9-16

THESE DRAWINGS AND SPECIFICATIONS ARE THE PROPERTY OF TAG TECHNOLOGY CO., LTD. AND SHALL NOT BE REPRODUCED OR USED AS THE BASIS FOR THE MANUFACTURE OR SELL OF APPARATUSES OR DEVICES WITHOUT PERMISSION.

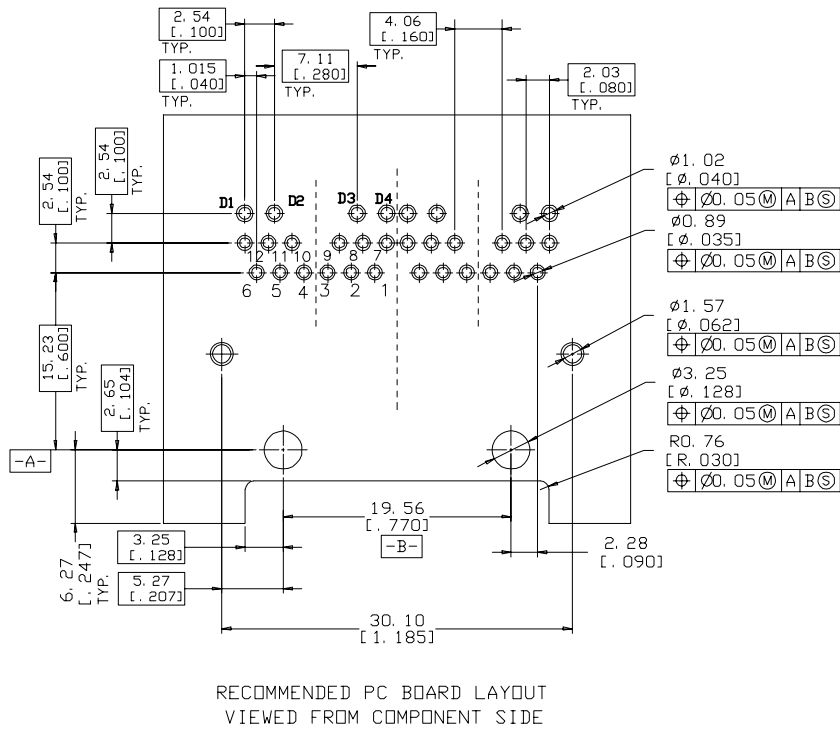
THIRD ANGLE  
PROJECTION

DESCRIPTION:  
10G Base-T RJ45 1X2

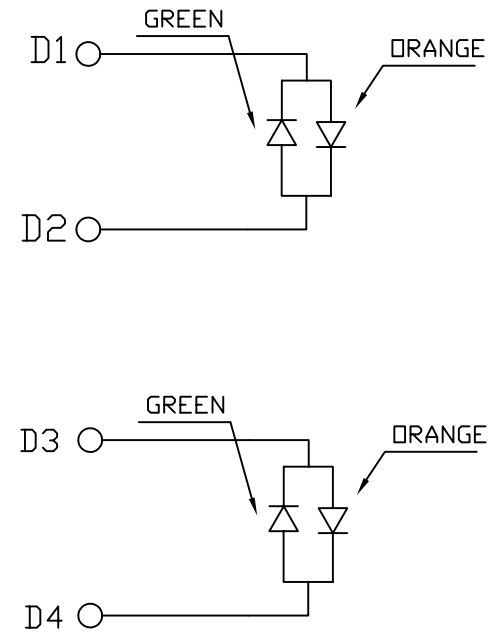
UNIT mm[inch] USED ON  
SHEET 1 OF 3 REV. A

REV.	CHANGE DESCRIPTION	DATE
A	New Issue	2015-9-16

## 2. PCB LAYOUT :



## 3. LED CONFIGURATION :



**TAG**

泰安吉科技有限公司  
TAG TECHNOLOGY CO., LTD.

A4  
SIZE

TAG PART NO.:  
T28-071-N01-015

VENDOR PART NO.:

Drawn: Rita

Designed: Evan

Approved: Paul Li

Date : 2015-9-16

THESE DRAWINGS AND SPECIFICATIONS ARE THE PROPERTY OF TAG TECHNOLOGY CO., LTD. AND SHALL NOT BE REPRODUCED OR USED AS THE BASIS FOR THE MANUFACTURE OR SELL OF APPARATUS OR DEVICES WITHOUT PERMISSION.



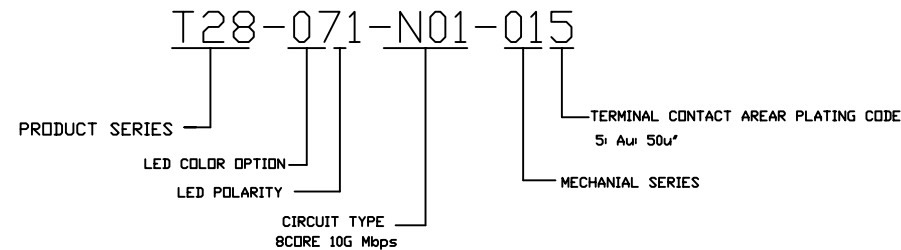
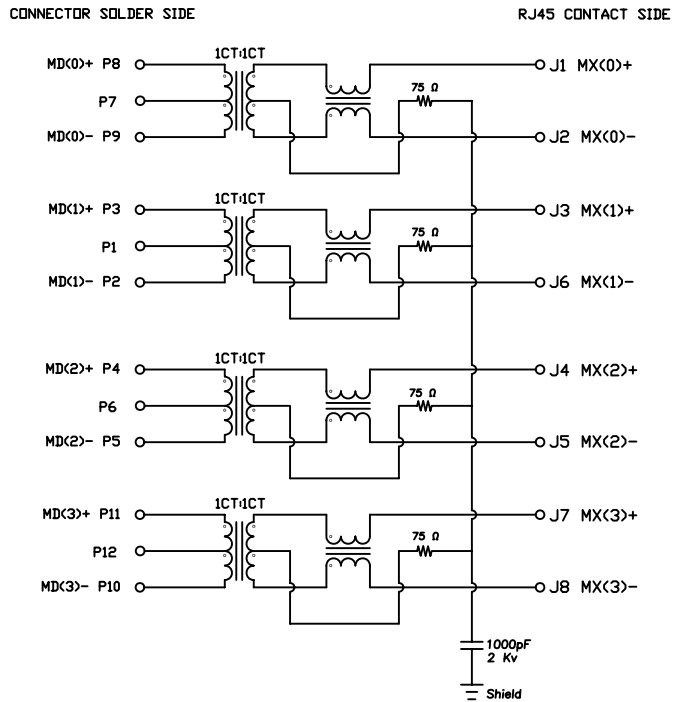
DESCRIPTION:

10G Base-T RJ45 1X2

UNIT mm USED ON SHEET 2 OF 3

REV. A

# 4. SCHEMATIC:



# 5. ELECTRICAL CHARACTERISTICS :

TEST NOTES:(25°±5°C)

- TR:(100KHz,0.1V);  
PINS:(P8,P9):(J1,J2)=1:1±3%;(P3,P2):(J3,J6)=1:1±3%  
PINS:(P4,P5):(J4,J5)=1:1±3%;(P11,P10):(J7,J8)=1:1±3%
- LX:(100KHz,100mV)  
PINS:(P8,P9),(P3,P2),(P4,P5),(P11,P10)=140uH MINIMUM
- DCR:  
PINS:(J1,J2),(J3,J6),(J4,J5),(J7,J8)=1.2 Ω MAXIMUM
- HIPOT:  
PINS(P8,P9)TO(J1,J2),(P3,P2)TO(J3,J6)=2250VDC FOR 60 SECONDS
- INSERTION LOSS:  
-1.0dB Max AT 1MHz TO 50MHz  
-1.5dB Max AT 50MHz TO 200MHz  
-2.0dB Max AT 200MHz TO 400MHz  
-3.0dB Max AT 400MHz TO 500MHz
- RETURN LOSS:  
-18dB Min AT 1MHz  
-13dB Min AT 2MHz TO 100MHz  
-10dB Min AT 100MHz TO 200MHz  
-7dB Min AT 200MHz TO 400MHz  
-6dB Min AT 400MHz TO 500MHz
- Cross Talk:  
-30dB Min AT 1MHz TO 100MHz  
-18dB Min AT 100MHz TO 500MHz

REV.	CHANGGE DESCRIPTION	DATE
A	New Issue	2015-4-13

**TAG** 泰安吉科技有限公司  
TAG TECHNOLOGY CO., LTD.

A4  
SIZE

TAG PART NO.:  
T28-071-N01-015

VENDOR PART NO.:

Drawn: Rita  
Designed: Evan  
Approved: Paul Li  
Date : 2015-4-13

THESE DRAWINGS AND SPECIFICATIONS ARE THE PROPERTY OF TAG TECHNOLOGY CO., LTD. AND SHALL NOT BE REPRODUCED OR USED AS THE BASIS FOR THE MANUFACTURE OR SELL OF APPARATUSSES OR DEVICES WITHOUT PERMISSION.

THIRD ANGLE  
PROJECTION

DESCRIPTION:  
10G Base-T RJ45 1X2

UNIT	mm	USED ON	
SHEET	3	OF	3
REV.	A		